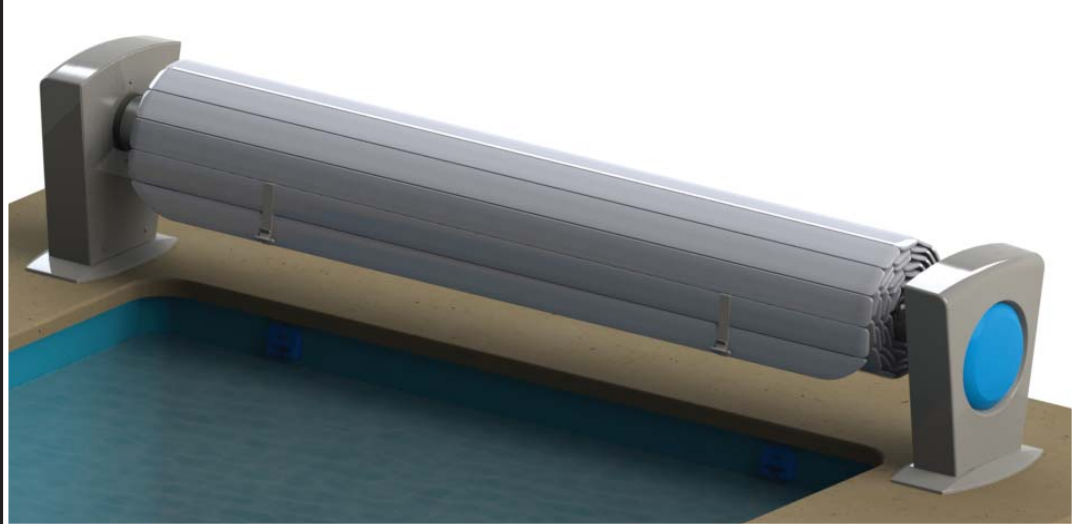


AUTOMATIC ABOVE-GROUND COVER



mon

TECHNICAL INSTRUCTIONS

Installation / Use / Cleaning / Maintenance / Safety advice

FIJA Group



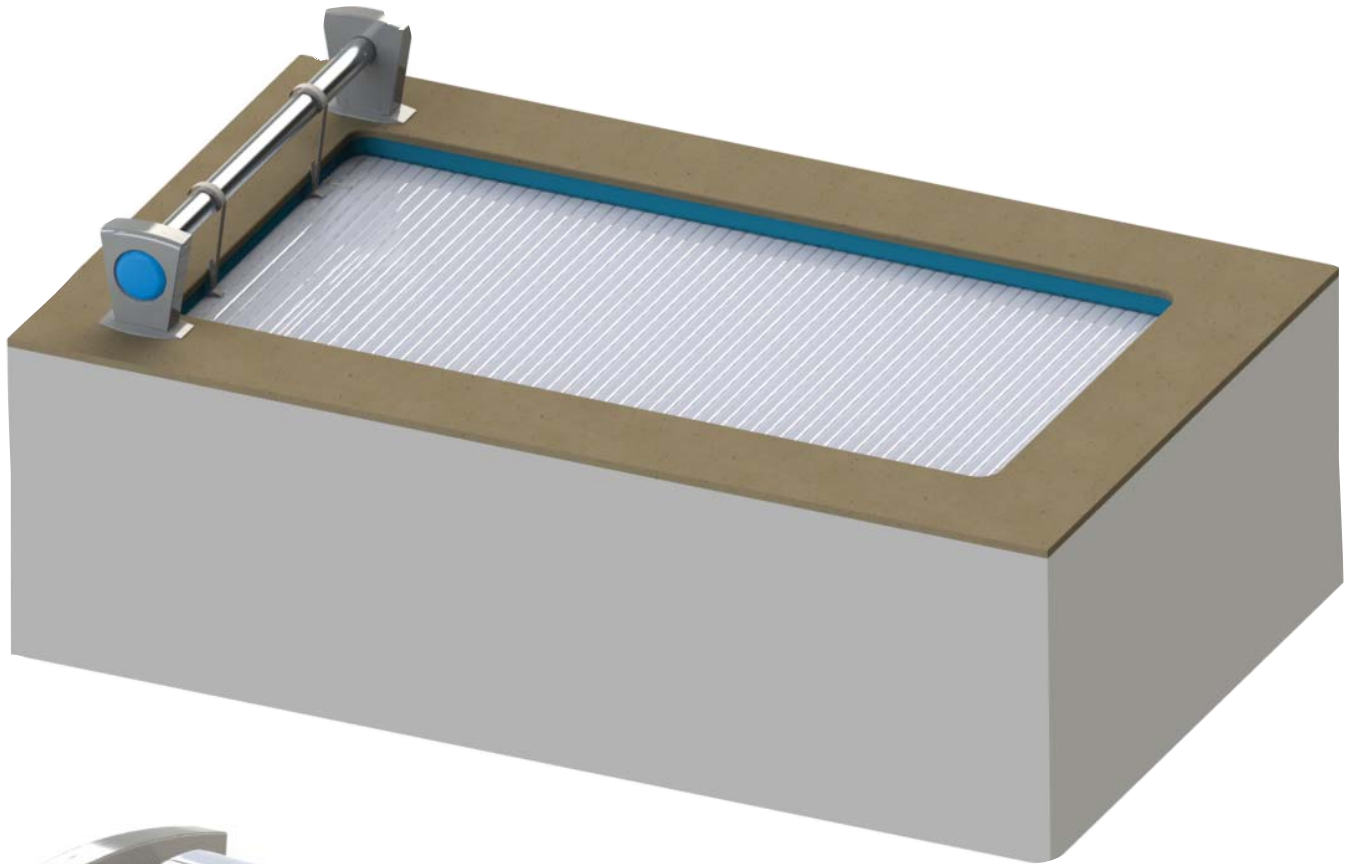
**NOTICE TO BE GIVEN TO THE USER AFTER INSTALLATION IS COMPLETE
PLEASE READ CAREFULLY AND KEEP IN A SAFE PLACE.**

Automatic motorised above ground safety cover using either mains electricity or solar power. The opening or closure operation requires about 2 minutes for one person and about 3 minutes to lock or unlock the attachment kits.

Maximum pool size:

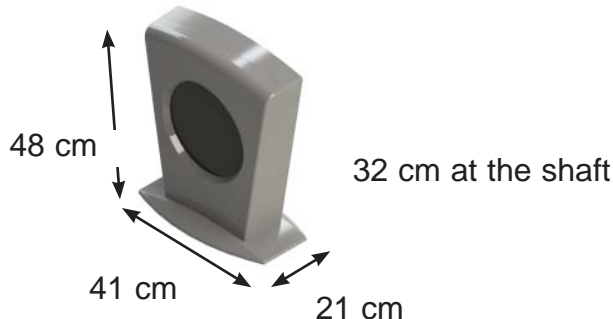
Length: **10 m + steps**

Width: **5 m**



At the time of publication, covers with an overlap and covers with removable steps on the side are not compliant with standard NF P 90-308. Unless otherwise specified by the manufacturer, immersion alarms are not compatible with DEL automatic covers.

The roller:



- The motor (compliant with electric standards) is located in the tube and can be accessed from the exterior of the terminal.
- Adjustment of the “mechanical automatic stop” locking the cover in place once it has been fully unrolled or rolled, is done directly on the motor.



- Cover control:
- Wi-Key “wireless”
 - Or
 - Key switch



- Solar version: The solar panel and batteries are built into the tube fitted.



- Electric version: The electrical control box is fitted in a technical room close to the pool. (see page 13 for the box size)



Optional:

- “**Chlorinator coupling**” (electric version only): Connected to the roller and chlorinator control box, this option is used to automatically reduce chlorine production when the pool is closed in order to avoid excess chlorine in the water.

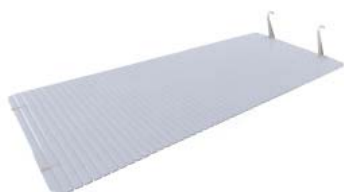


- “**Torque limiter**”:

- Printed circuit board with stops motion when an abnormal force on the cover is detected. (unlocking of locking kit oversight)

Slats:

- The cover itself is made from unleaded PVC slats (*this material conforms to anti-ageing requirements as defined in the NF T 54 405-1 Standard*), they are watertight and hinged and will float on the surface of the water.
- The gap between the side and the cover must be ≤ 70 mm.
- The cover is connected to the tube using white straps that are attached to the first slat of the cover.
- There are fixture straps at the start and end of the cover used to fix the cover to the fastening kit fixed to the side of the pool.



Fastening kits:

- 3 models: (a - Push-lock / b - Quick-lock / c - Straplock)
 3 fixture modes: (surface mount – insert mount – hanging mount)



- The fastening kits are positioned on each width of the pool. (the number varies depending on the pool configuration)
- These fastening systems are triggered by a tool or a double action.

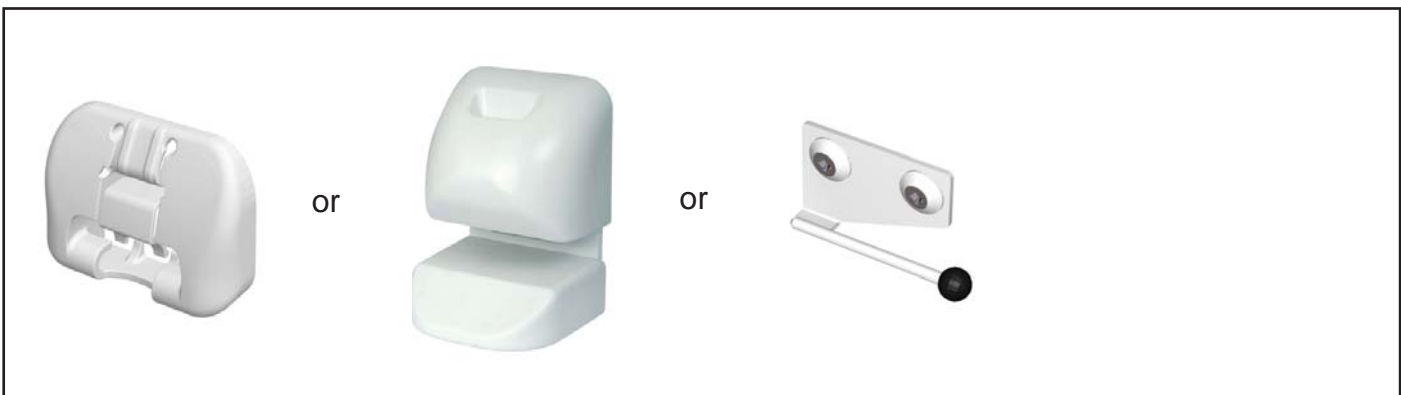
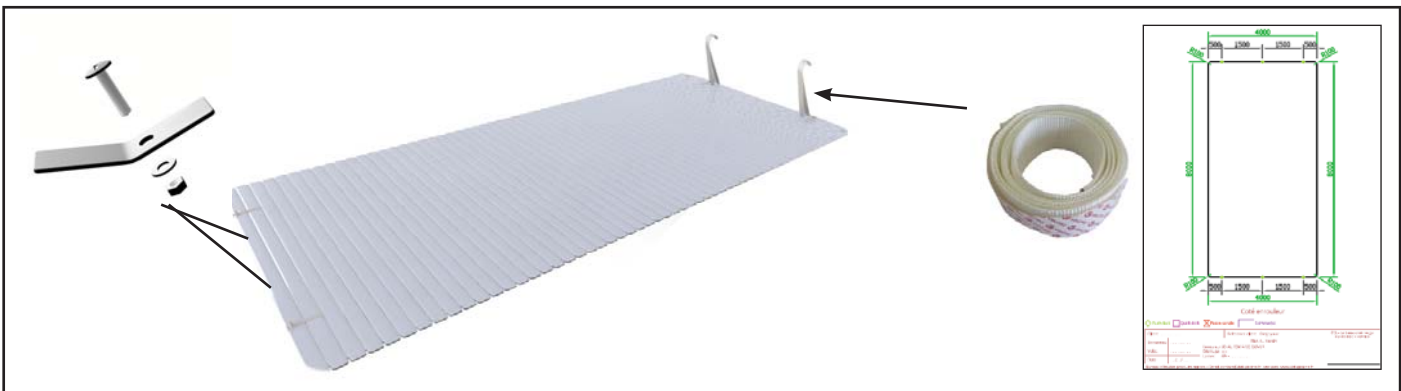
DELIVERED PARTS



Option Wi-Key

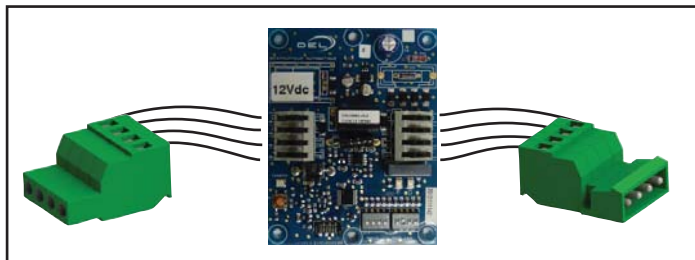


or



OPTION - CHLORINE INHIBITOR

OPTION - Automatic switch



TOOLS



ASSEMBLY INSTRUCTIONS



PACKING LIST

e.g. - for a 4 x 8 m pool

1 0.80 x 0.60 x 0.55 pallet — 40kg

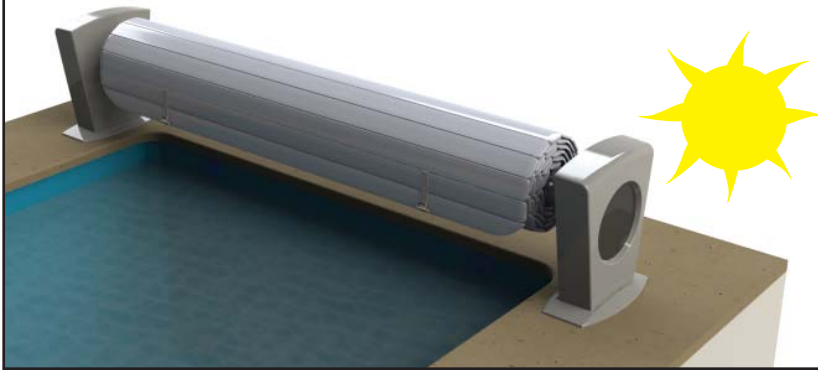
1 4.30 x 0.20 m pack — 25 kg

4 5 x 0.25 x 0.20 m packs — 150 kg

Total weight: 205 Kg

Instructions before installation

SOLAR version

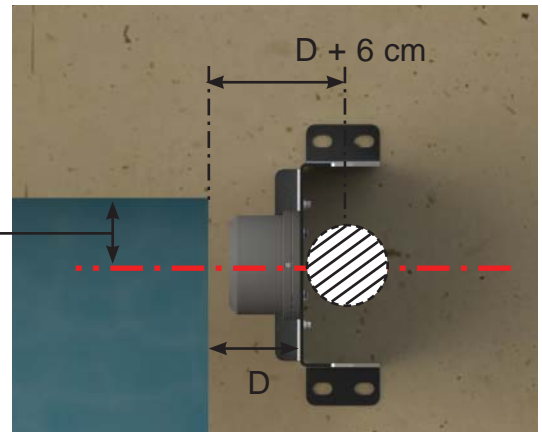


Place the solar panel on the sunniest side

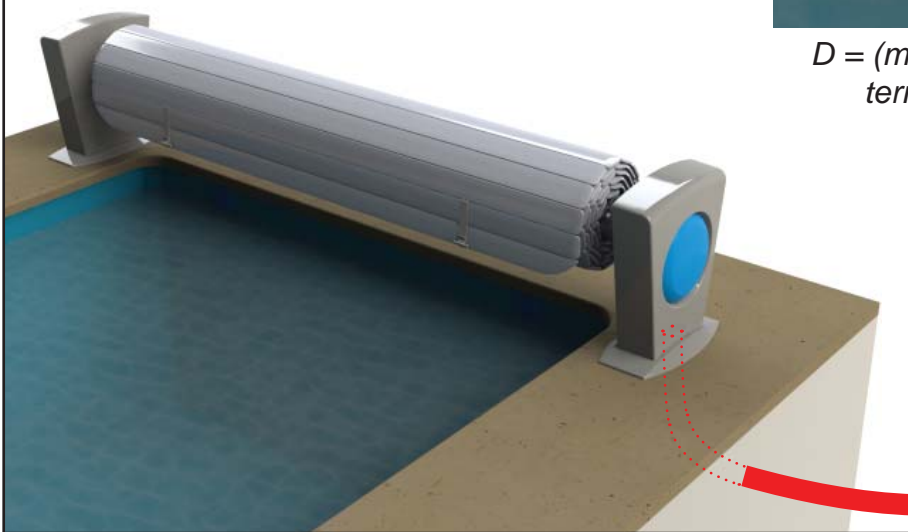
ELECTRIC version

Remember to have a sheath fitted to connect the electric control box and the motor terminal.

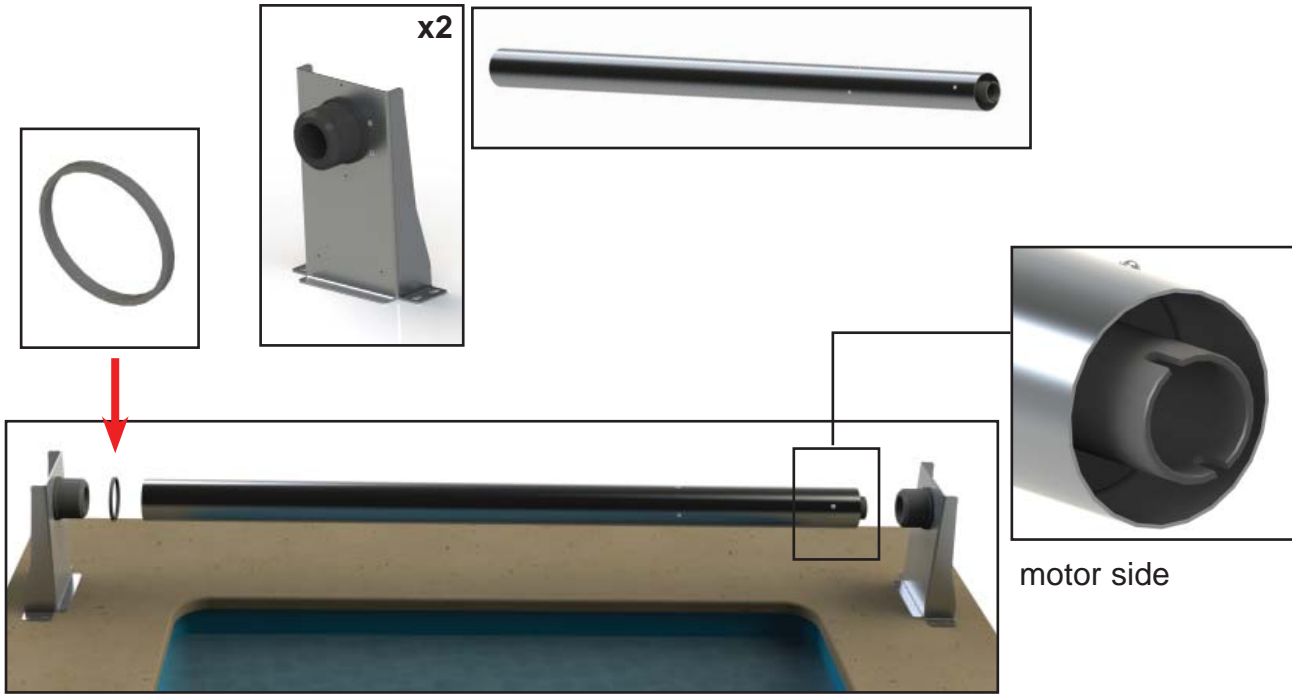
see positioning rules 1 page 7



$$D = (\text{measurement between the terminal - pool width}) / 2$$



Assembly



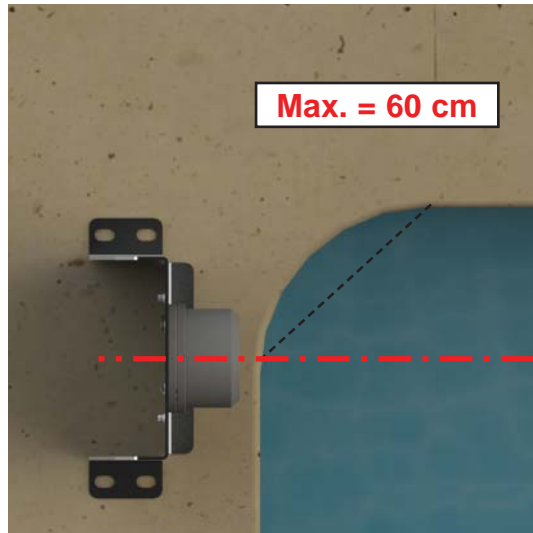
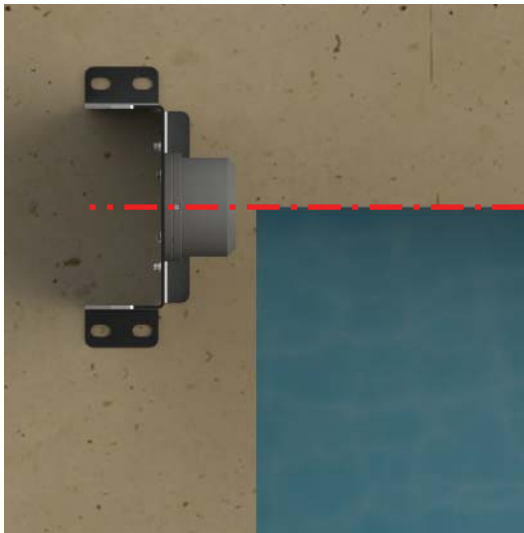
Position 1

Depending on the pool corners and the fastener kits on the roller side

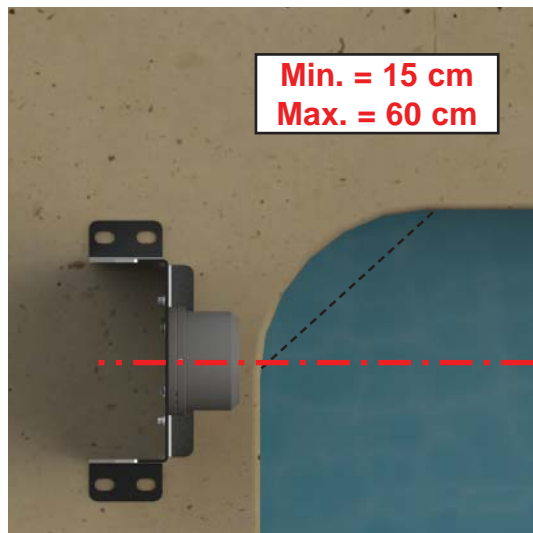
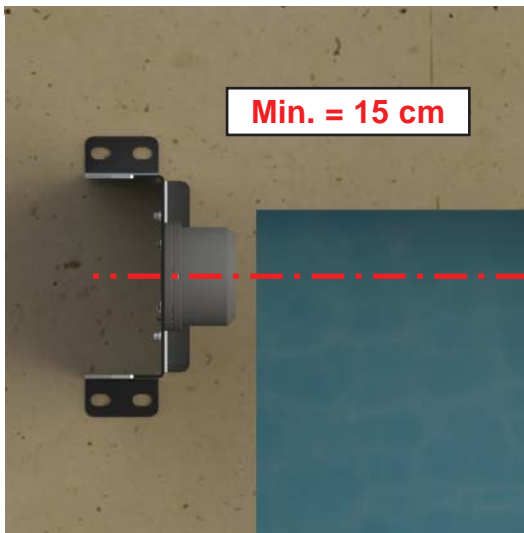
Sharp corner

Rounded corners or cut-off corners

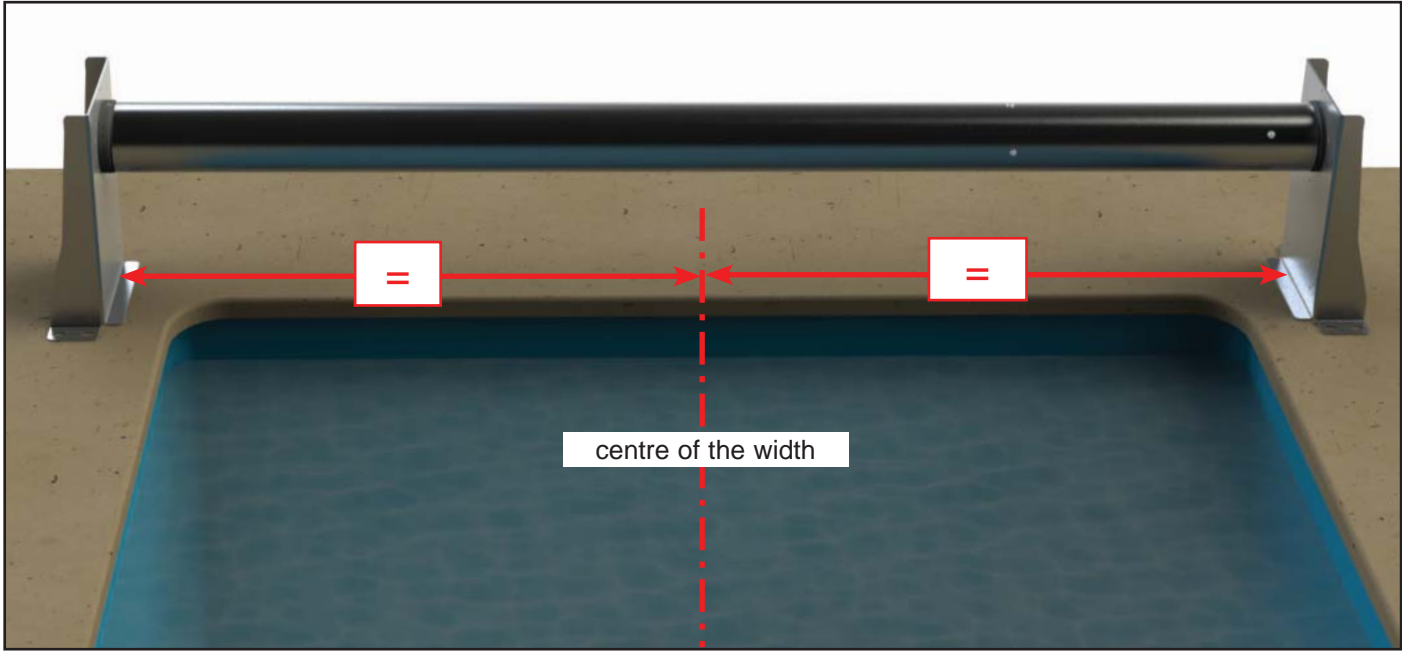
With Straplock or Push-lock



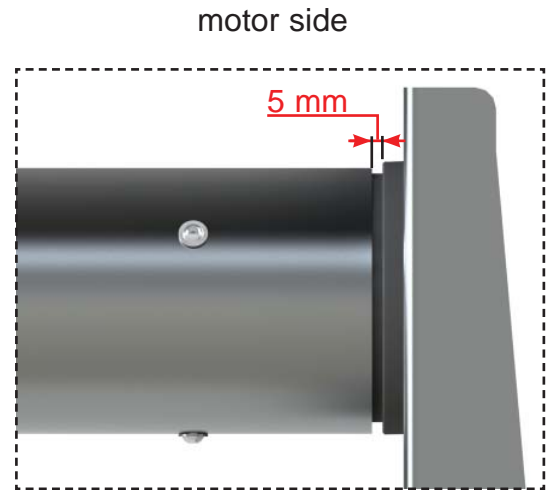
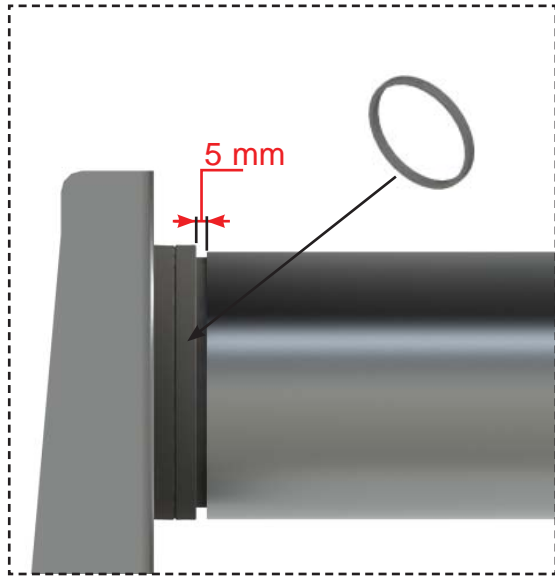
With Quick-lock



Position 2



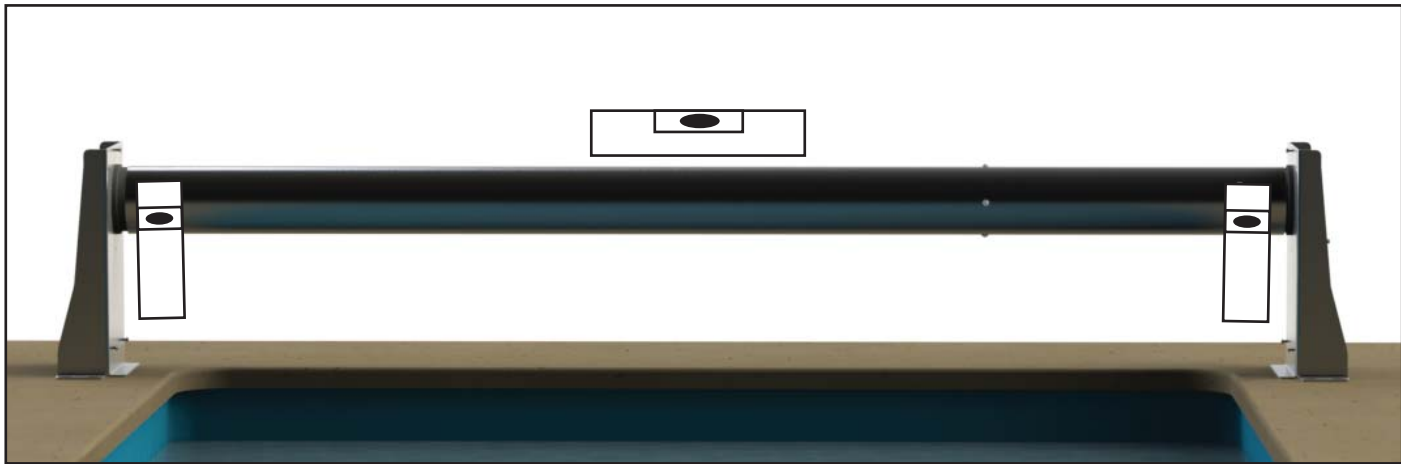
Fixture and adjustment



Before fixing, check that there is an operating gap of 5 mm on each side.



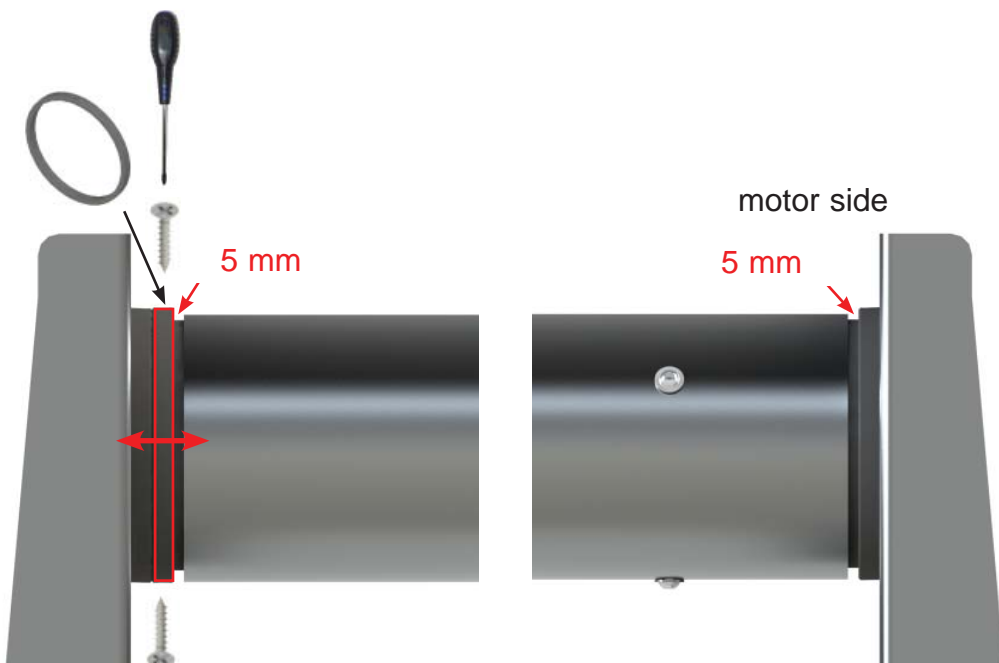
Levelling



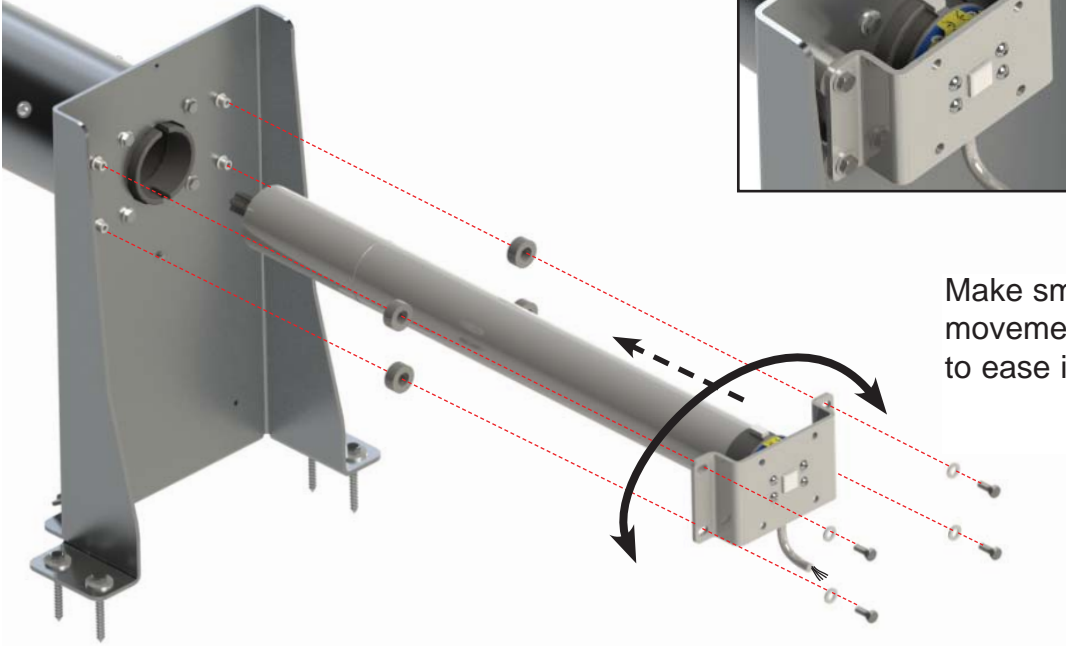
Adjust using the oblongs



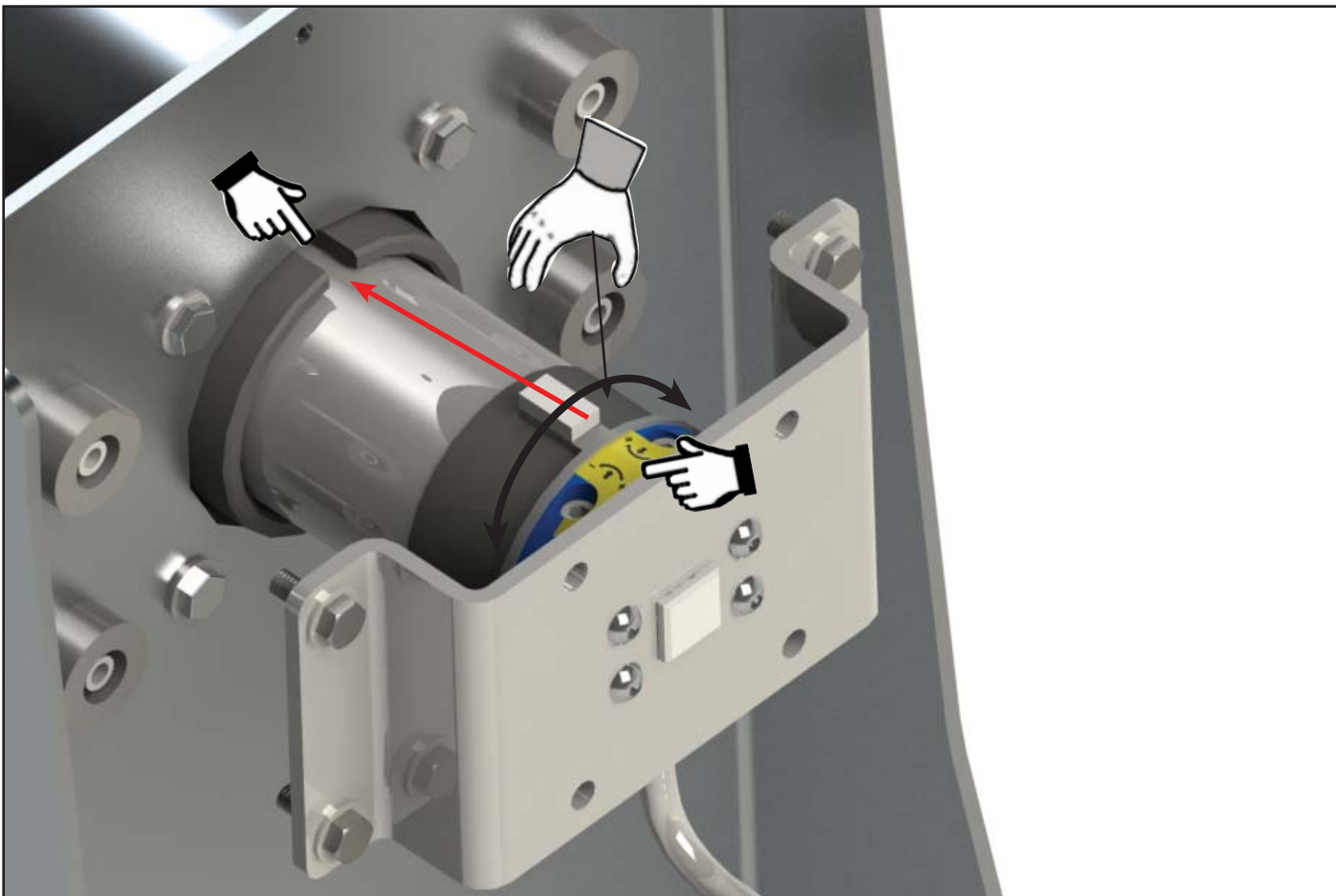
Fix the adjustment bar.

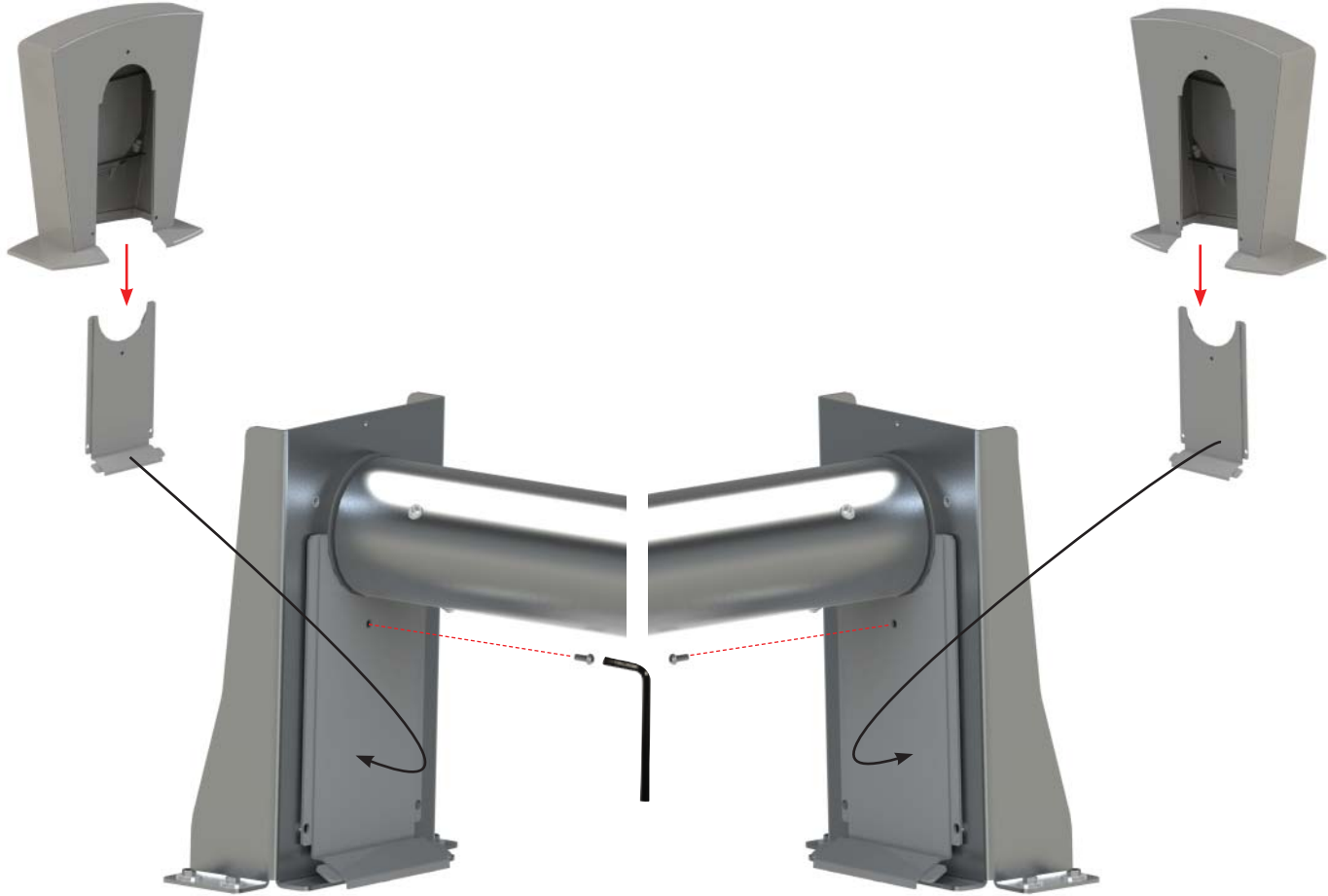
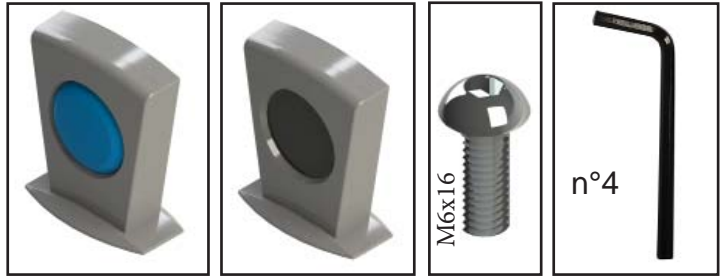


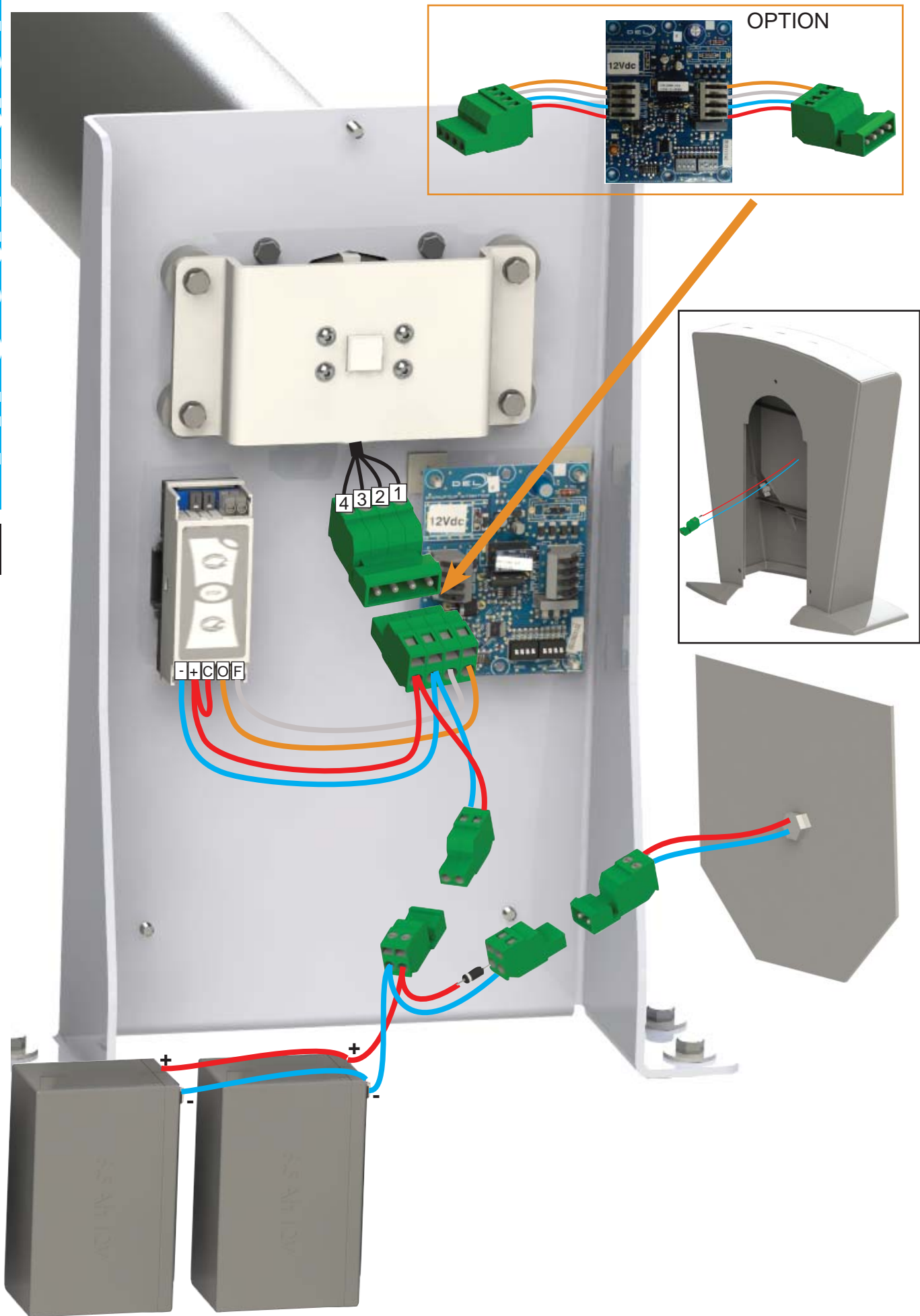
ASSEMBLING THE MOTOR

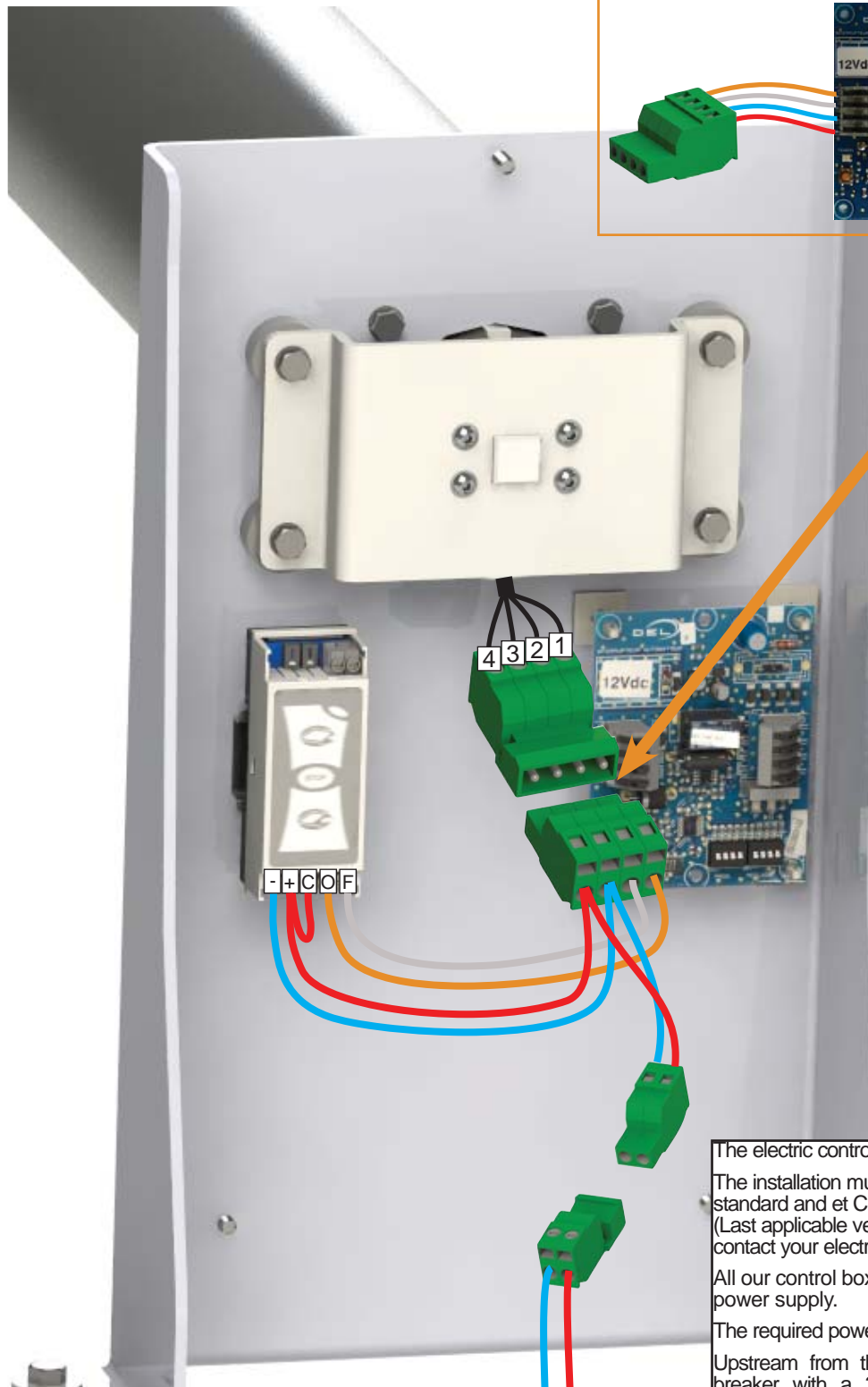
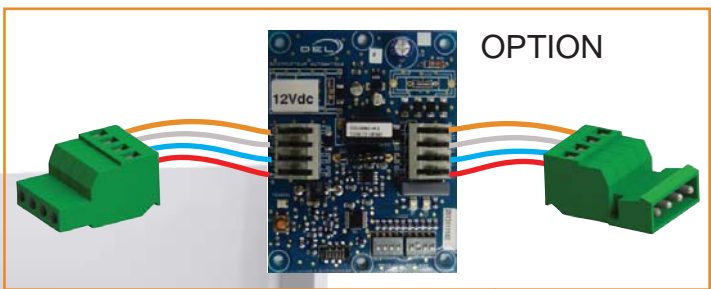


Make small rotating movements with the motor to ease its fitting.

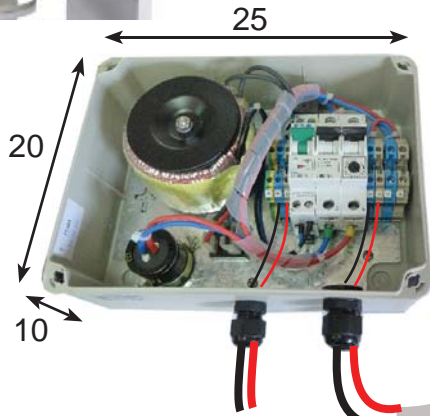








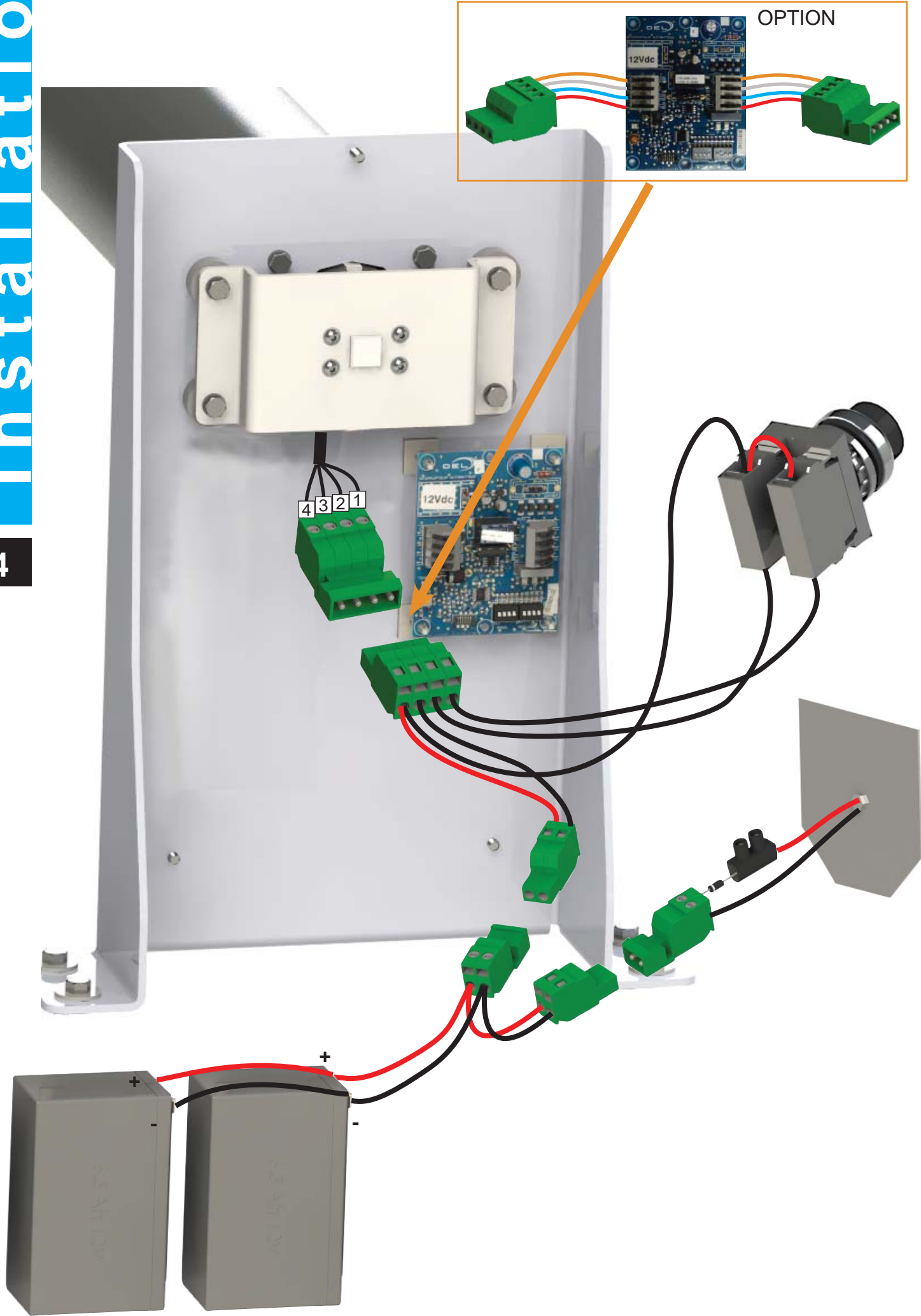
The electric control box must be fitted in a dry room.
 The installation must comply with the NF C15-100 standard and et CEI 60364 (Last applicable version) ask your electrician for advice or contact your electricity provider.
 All our control boxes use a 230 Volt single phase (50Hz) power supply.
 The required power at the input terminals is 0.15 Kw.
 Upstream from the control box a suitably sized circuit breaker with a 30 mA ground fault device must be provided.

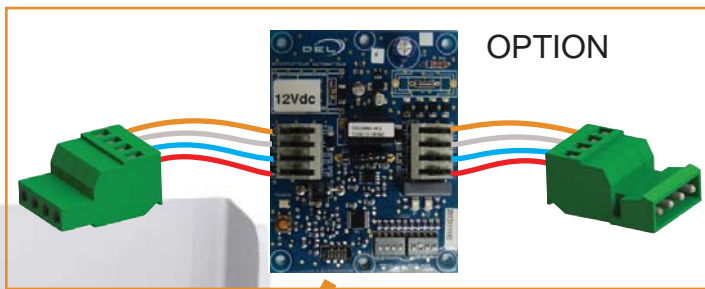
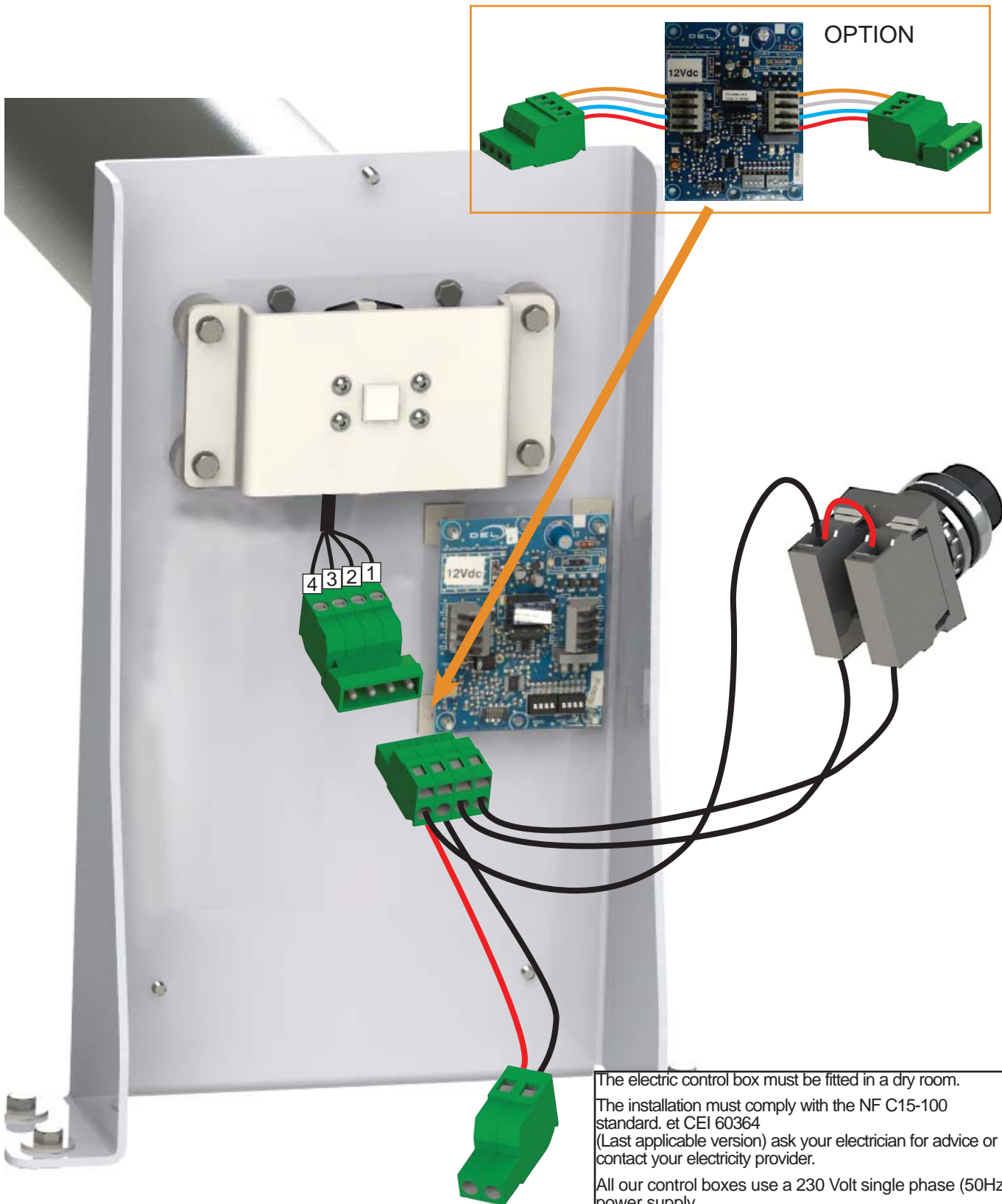


(U1000RO2V in a sheath) compliant with applicable standards

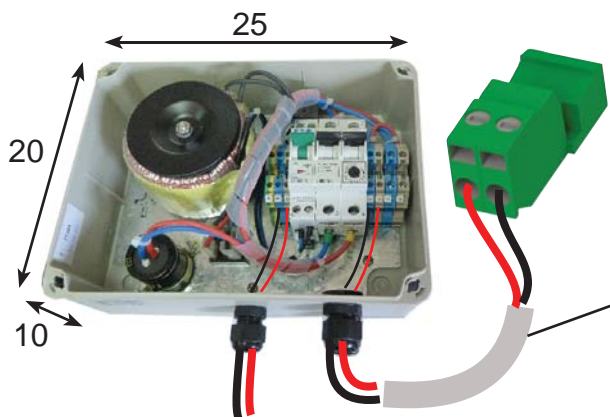
2 x 4 mm² - up to 16 m in length.
 2 x 6 mm² - from 16 to 25 m in length.
 + 2 x 1 mm² - STOP SEL OPTION

Wiring - refer to the manual supplied with the product





The electric control box must be fitted in a dry room.
 The installation must comply with the NF C15-100 standard. et CEI 60364 (Last applicable version) ask your electrician for advice or contact your electricity provider.
 All our control boxes use a 230 Volt single phase (50Hz) power supply.
 The required power at the input terminals is 0.15 Kw.
 Upstream from the control box a suitably sized circuit breaker with a 30 mA ground fault device must be provided.



(U1000RO2V in a sheath) compliant with applicable standards

2 x 4 mm² - up to 16 m in length.
 2 x 6 mm² - from 16 to 25 m in length.
 + 2 x 1 mm² - STOP SEL OPTION

Wiring - refer to the manual supplied with the product

230 V Power supply

WI-KEY INSTALLING THE CONTROL BOX



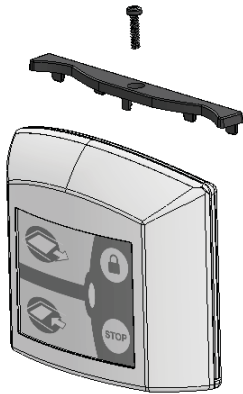
red / green flashing = emitter locked
 Emitter unlocking procedure see «page 27»

The emitter must be located outside volume 0.

The distance between the emitter and the receiver must not exceed:

- 50 m in an obstacle-free zone.
- 25 m behind a basic wall.
- 15 m behind several walls or an especially thick wall.

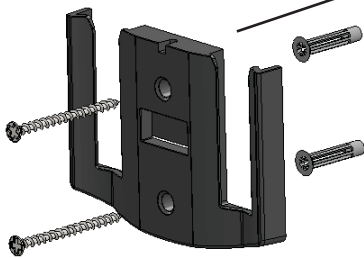
We recommend checking emitter/receiver communication before fixing permanently.



- It must be located in a place from which it is possible to check that no one enters the pool during the manoeuvre.
- It is mandatory to install the locking «strip».
- Before fixing the control box, check that the emitter is communicating with the receiver.

”if the motor does not run => check the power supply polarity

The support must be attached to a fixed support



Closing



Keyboard lock



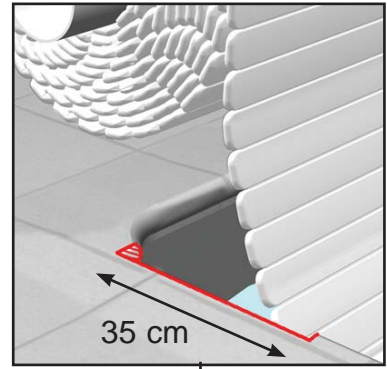
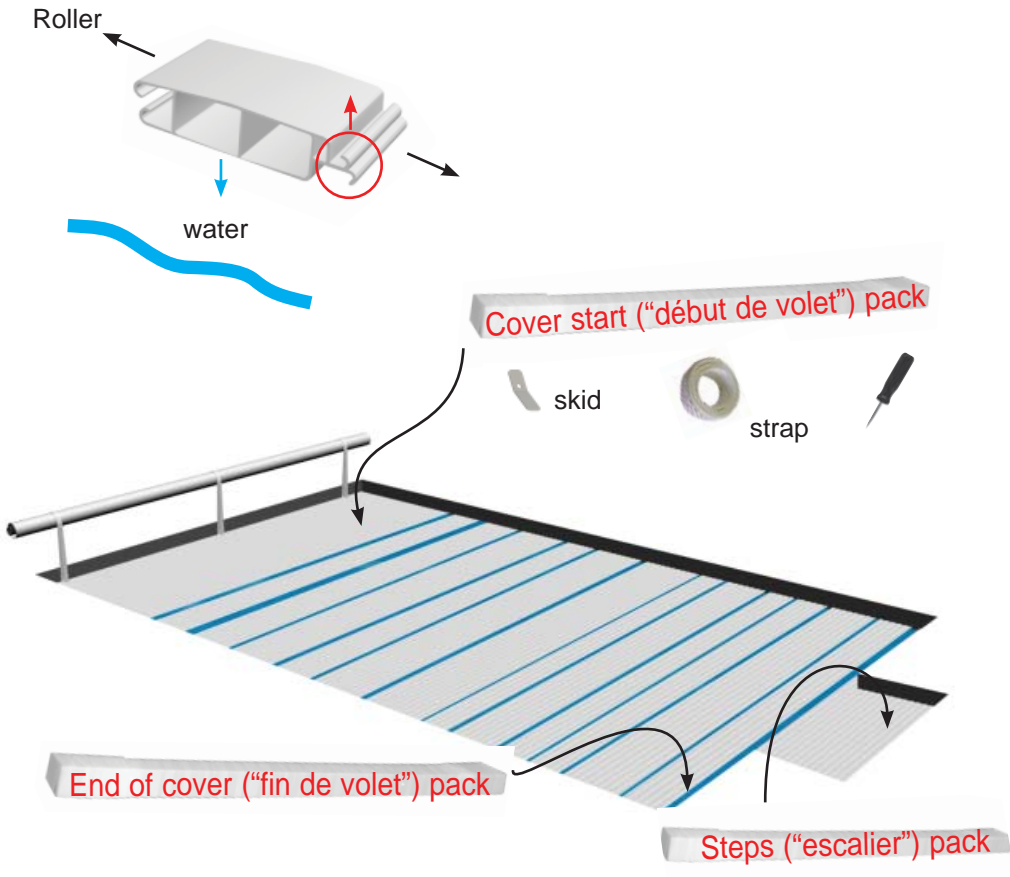
Opening



Stops the current action

COVER INSTALLATION

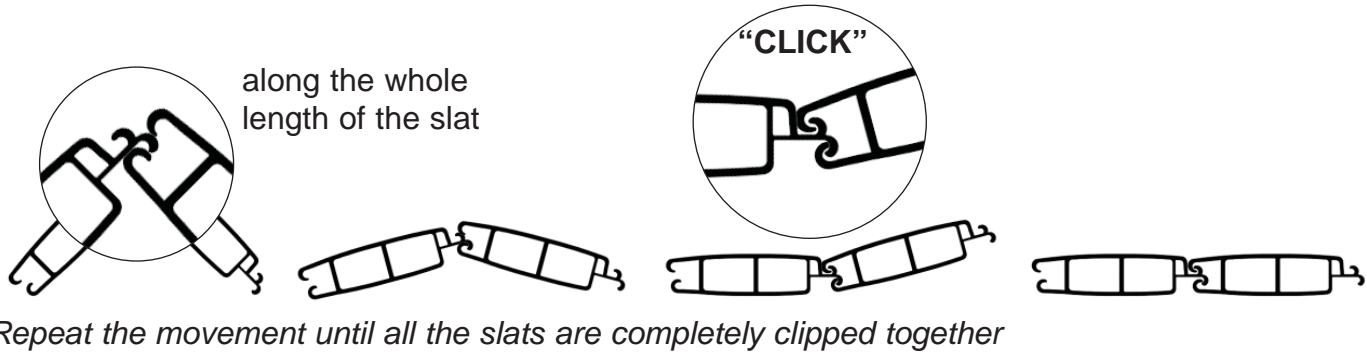
Make sure the slats are in the right direction



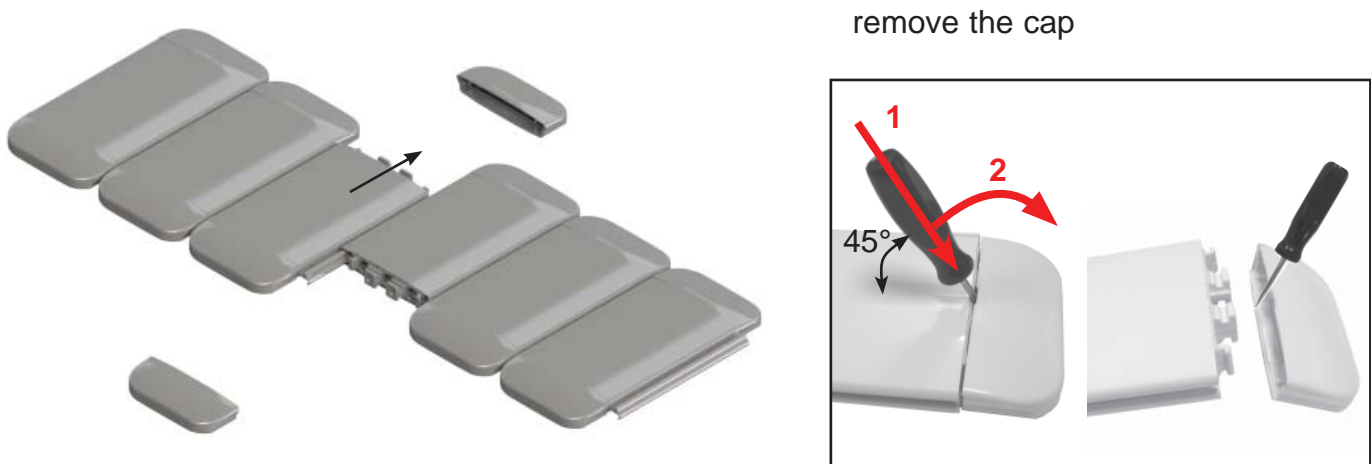
If necessary, cut the sides to ease the passage of the cover and avoid rubbing

Slat assembly

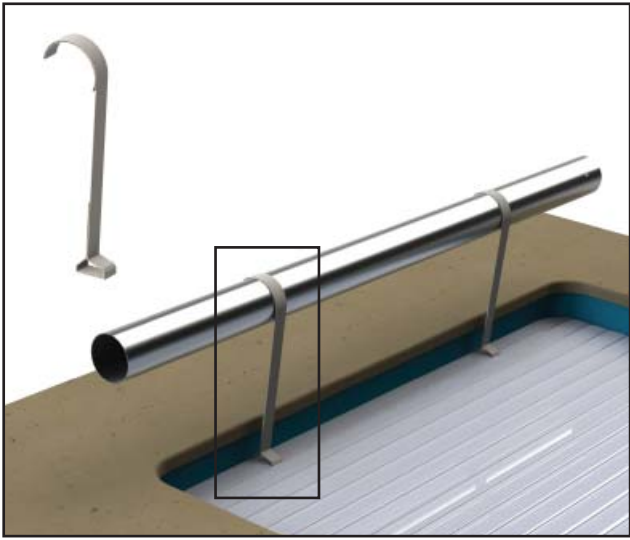
By clipping



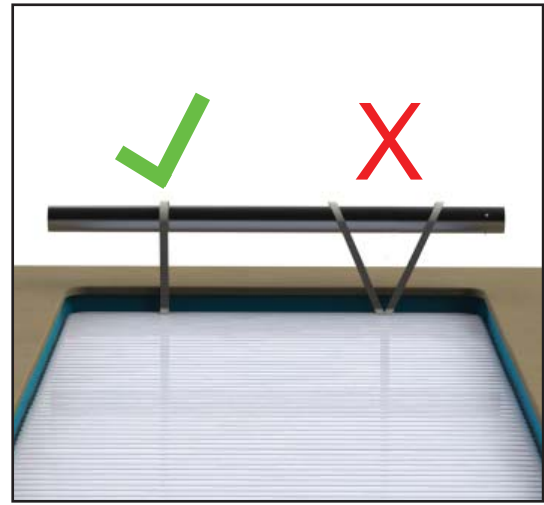
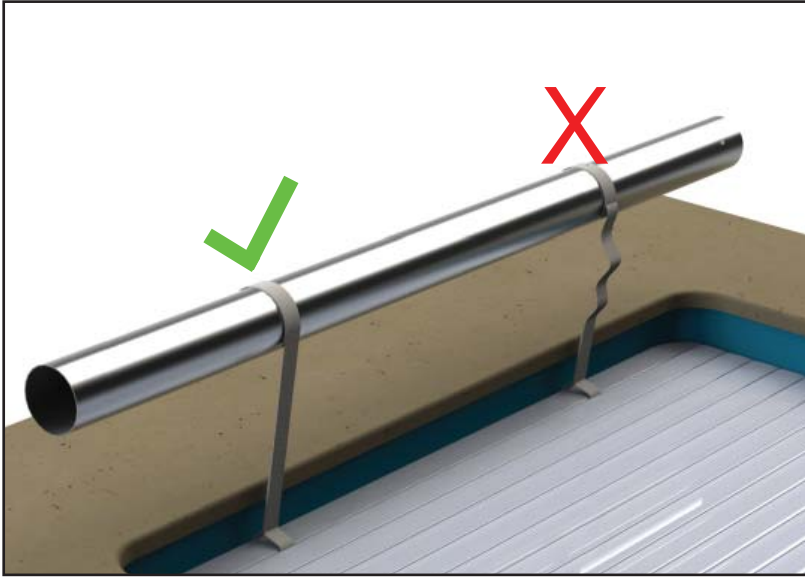
By sliding



Assembly of the strap between the cover and the tube



The surface to be glued must be clean and dry

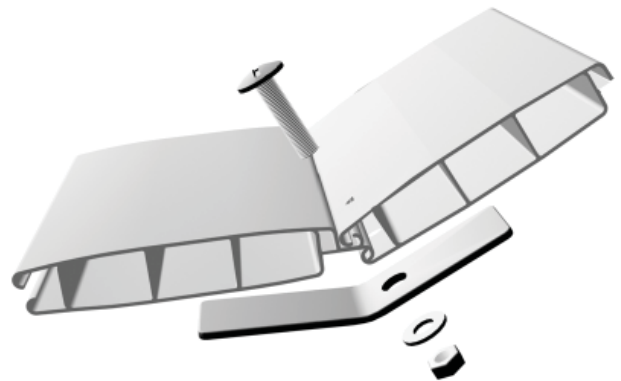
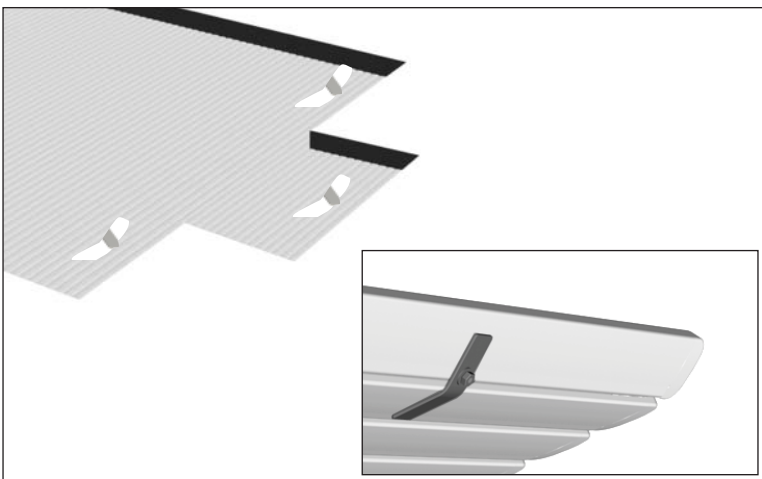


In order to guarantee quality fixing, the adhesive Velcro temperature must be higher than 15°C (if necessary leave it in a warm room before application).

skid assembly



The skids are used to orient the cover at the start of closure. The holes are drilled at the factory.



ADJUST THE AUTOMATIC STOPS

Checking the order logic



Contact maintained

Pool closure



If the command logic is not correct, reverse wires 1 and 2 on the motor output. (see wiring diagram)



Pool opening



Adjustment



The arrows indicate the cover's direction of movement

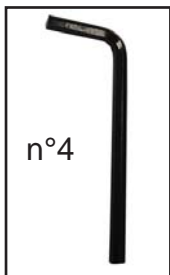
Turning in the +, direction will increase the extension of the cover

Turning in the -, direction will reduce the extension of the cover

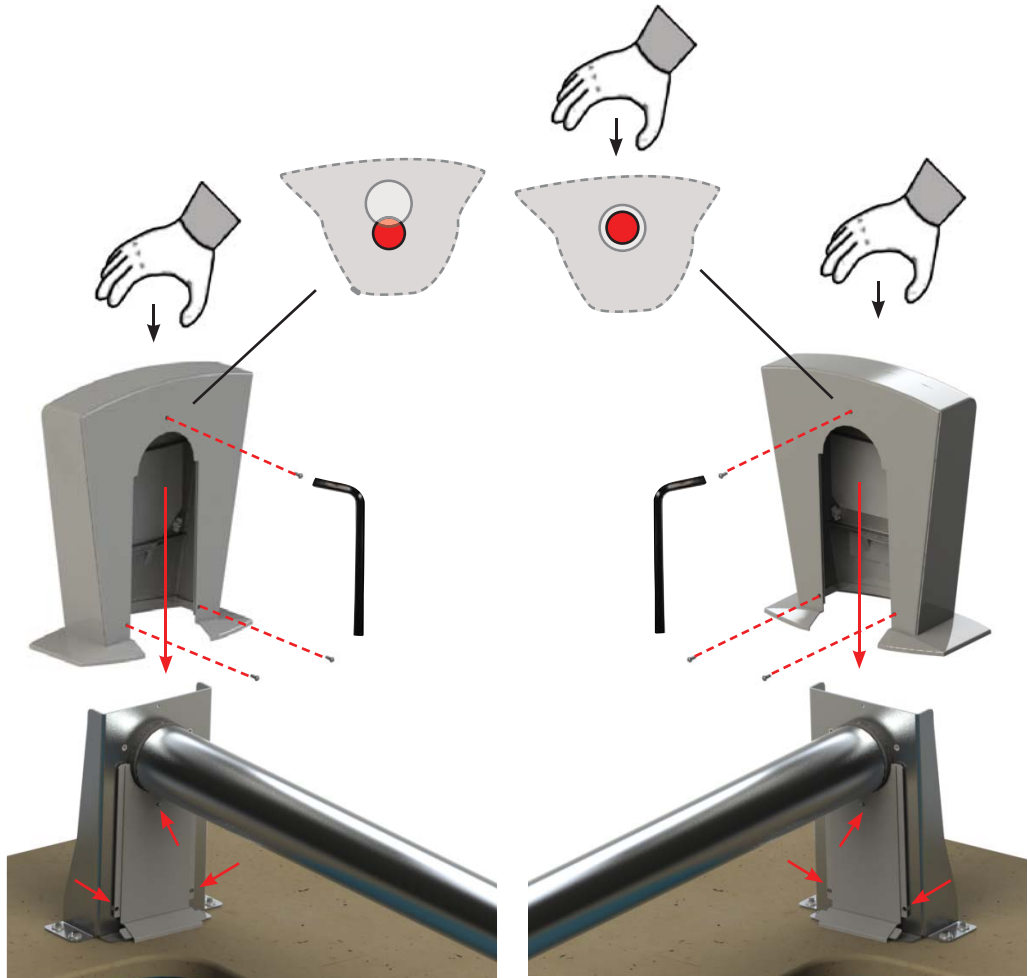
ASSEMBLY OF THE FRONT CASING



M6x16



n°4



ADJUSTING THE AUTOMATIC SWITCH

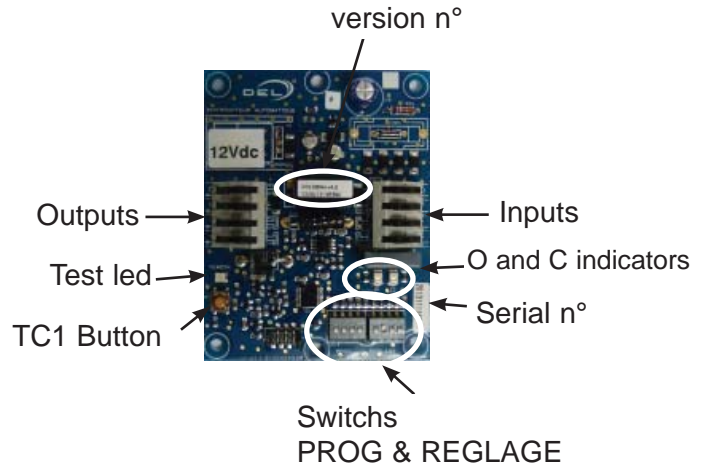
INFORMATIONS

The automatic switch protects the system in case locking kits are unreleased when opening the pool.

If the cover jams, the motor is shut down automatically.

Different cases of jamming:

- Unreleased safety locking kit.
 - cover rubbing (on the beam, coping stone...)
 - Object in the pool jamming the cover (cleaner, counter-weight ...).

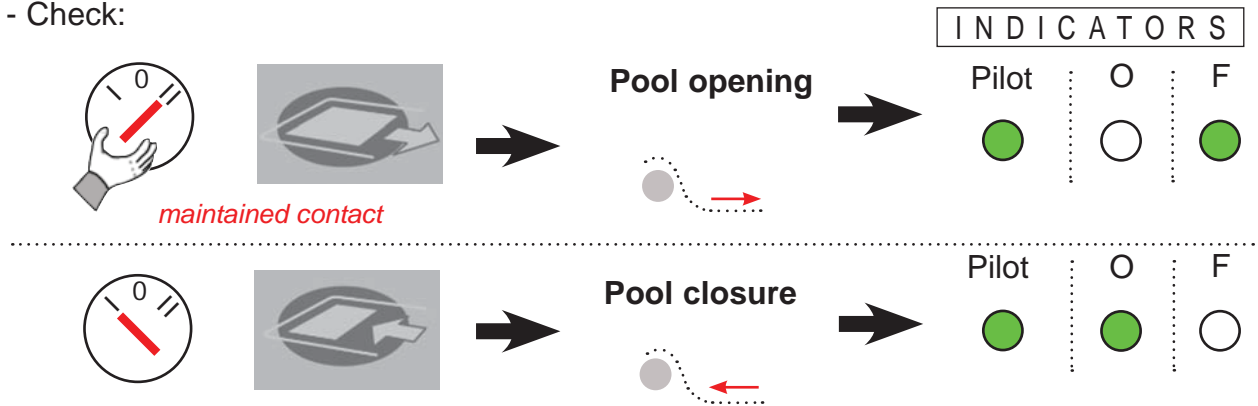


Check the order logic

- Deactivate the automatic switch



- Check:



If the command logic is not correct, check the installation wiring.

Setting control duration

L = pool length steps included

$L \leq 12 \text{ m}$



30 seconds

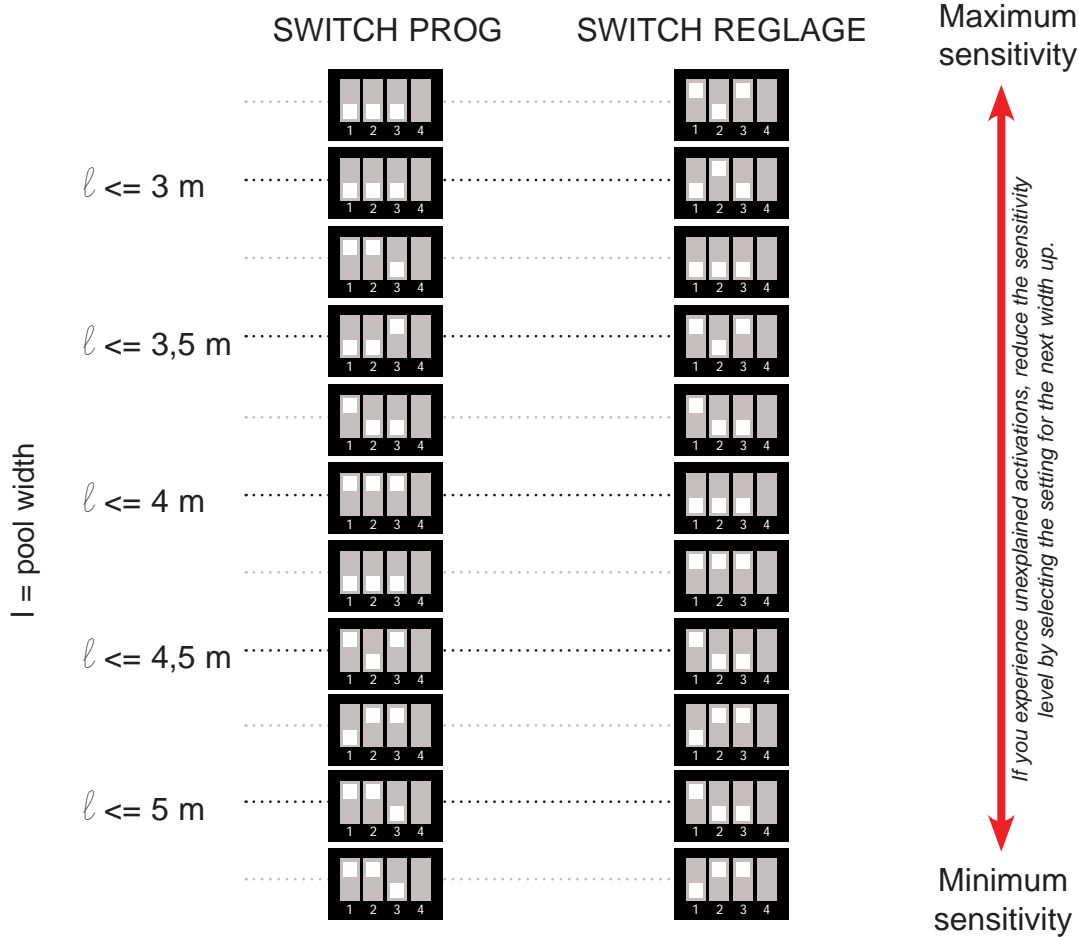
$L > 12 \text{ m}$



60 seconds



Adjusting the trigger sensitivity



Activating the automatic switch



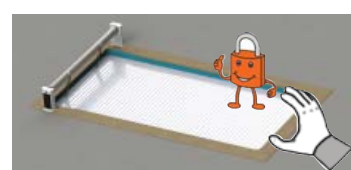
Failure to activate the automatic switch can cause serious damage to the motor, the control box, the slats and void the warranty.



Test

A - Block the cover by hand or with the fixture kits and keep the pool in sight when opening the cover.

=> The motor is automatically stopped.
(If necessary adjust the sensitivity of the switch activation)



If there are unplanned activations, reduce the sensitivity level by selecting the setting for the next bigger width.

card activated	Test		
	O	F	
Opening, control in progress			
Opening without control			
Closure			
Protection ON			

To know

- The automatic cover stops during the pool opening:
- 1 - Stop due to a real blocking: unlocking of locking kit oversight or other...
 - Close during more of 3 seconds until release completely slats tension.. **The next opening will stay protected by the system.**
 - Eliminate the blocking cause(s) and go again with the pool opening.
 - 2 - Untimely stop:
 - Close during **1 to 3 seconds.**
 - he next opening won't stay protected by the system**
 - Go again with pool opening.
- In case of untimely activations, decrease the sensitivity of the card.
- In case of too important effort before activations, increase the sensitivity of the card. "Sensibilité de déclenchement" parameter

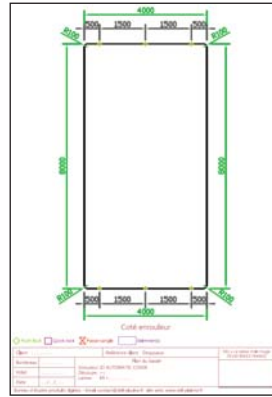
Protected opening



Non-protected opening

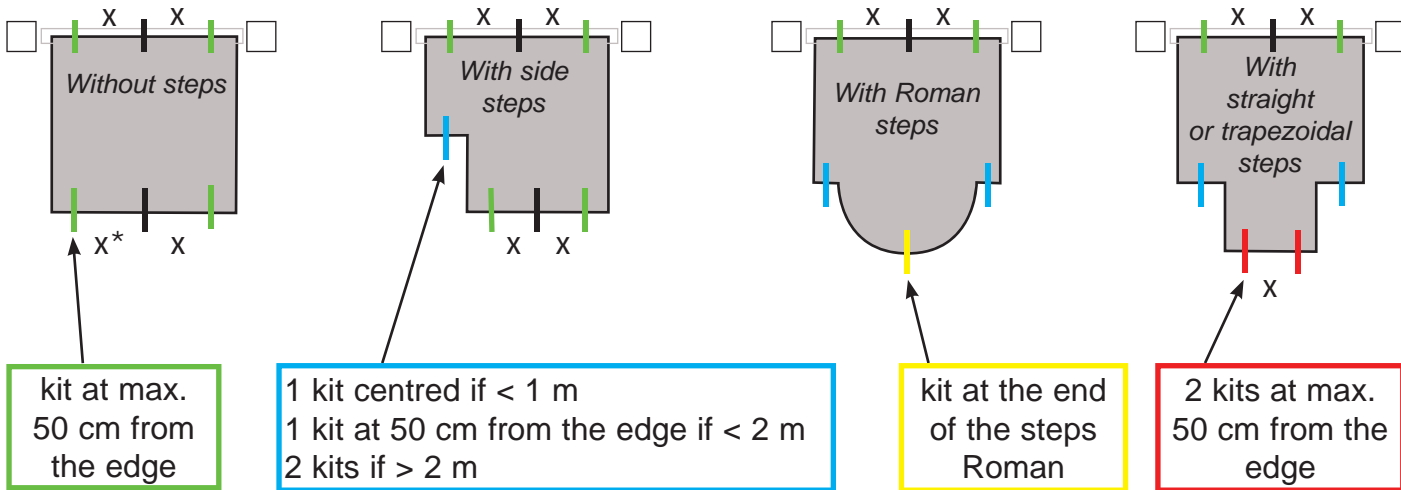


The position of the fastener kits on the cover is indicated on the drawings shipped with the slats.



All changes to the positioning of the kits must comply with the rules given below. For other cases please contact us.

22 Positioning rules



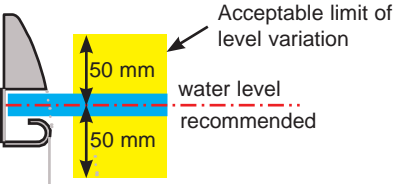
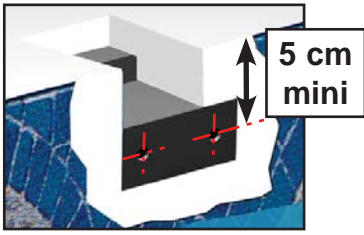
* X must never exceed 2 m

The Quick-lock fastener system cannot be used on cut off corners and curves, except at the end of Roman steps.

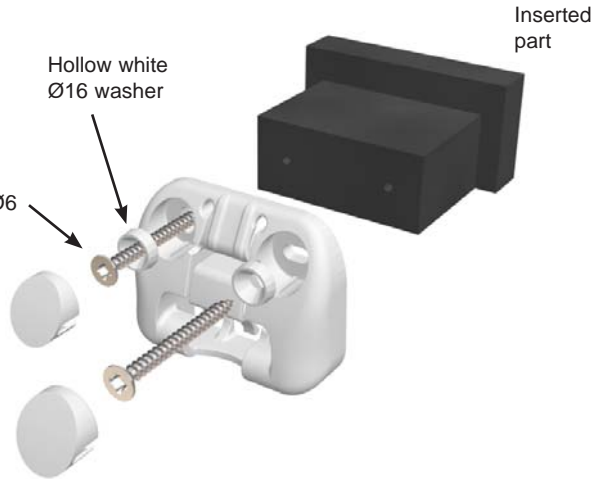
A water level regulator is mandatory

Insert mounted model

For concrete and panel pools

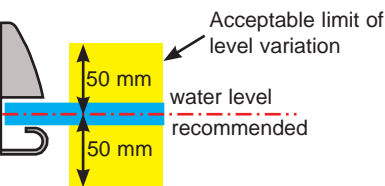
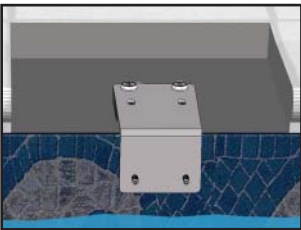


VBA TF Z pozi stainless steel A4 Ø6 x 60 wood screw

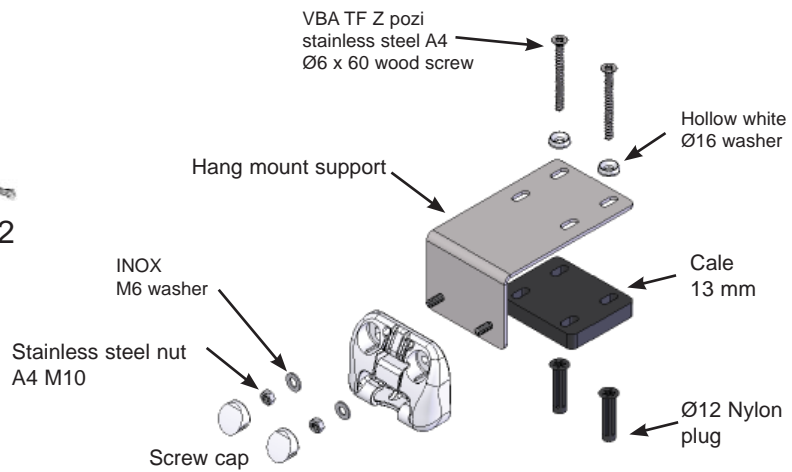


Hang mounted version

For concrete and panel pools

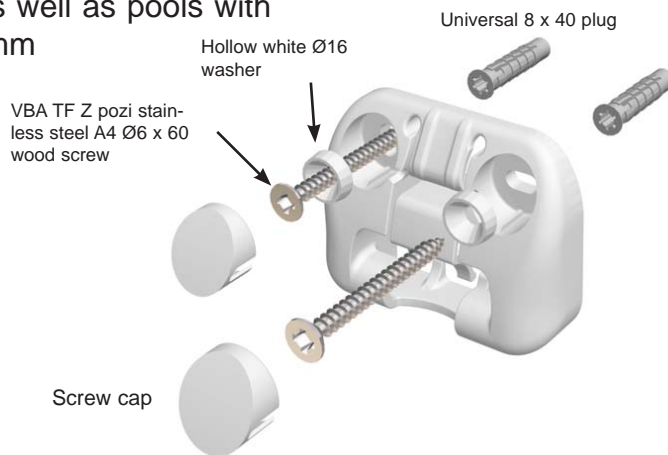
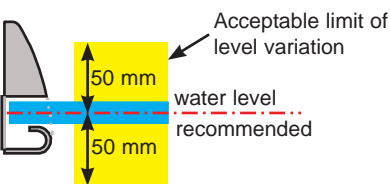
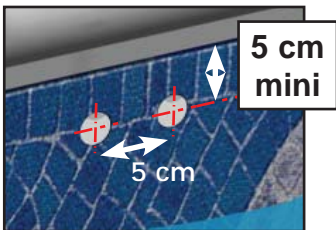


Ø12

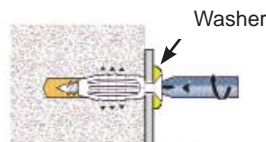


Surface mounted model

For concrete and concrete block pools, as well as pools with wall thickness greater than or equal to 8 mm

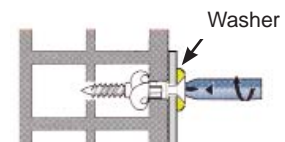


Concrete



Once the resistance point has been reached stop screwing, this would deteriorate the fixture quality.

Concrete block



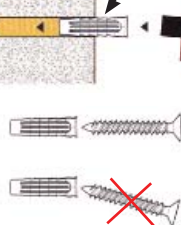
After reaching the resistance point, make 3 more turns of the screwdriver to finish tightening.



Ø8

60 mm "minimum"

Plug

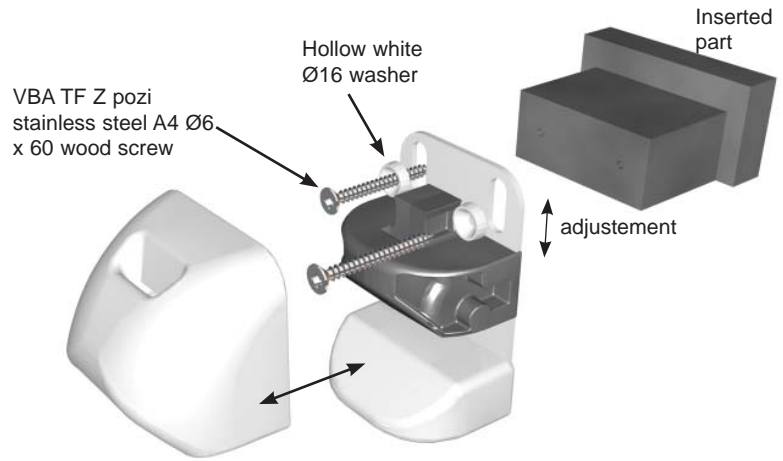
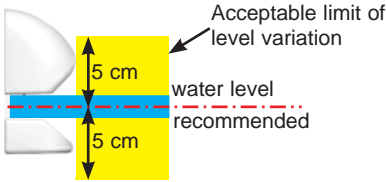
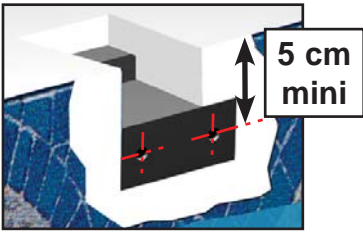


INSTALLATION QUICK-LOCK

A water level regulator is mandatory

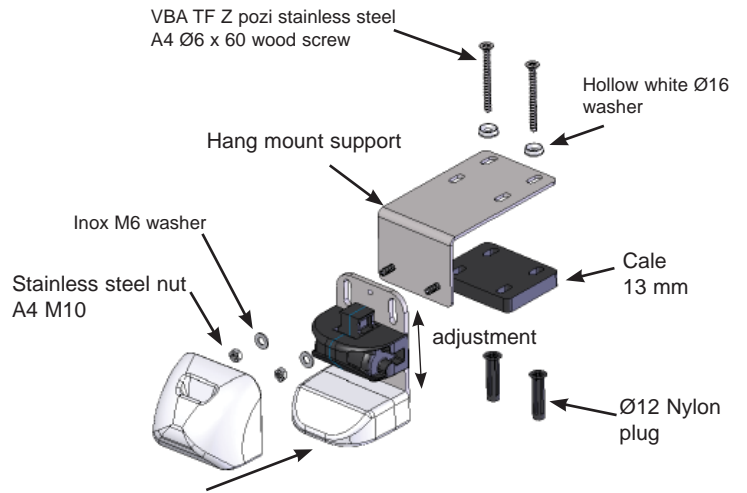
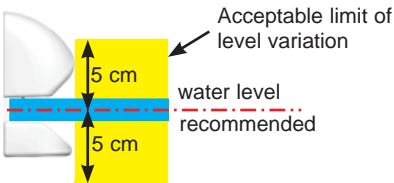
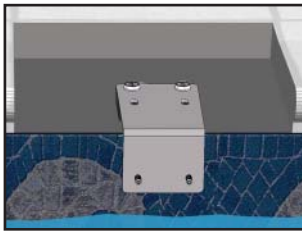
Insert mounted model

For concrete and panel pools



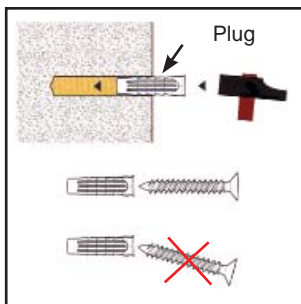
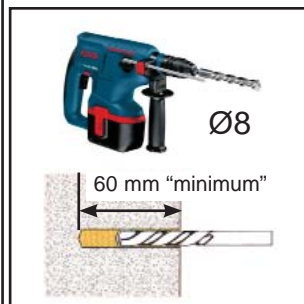
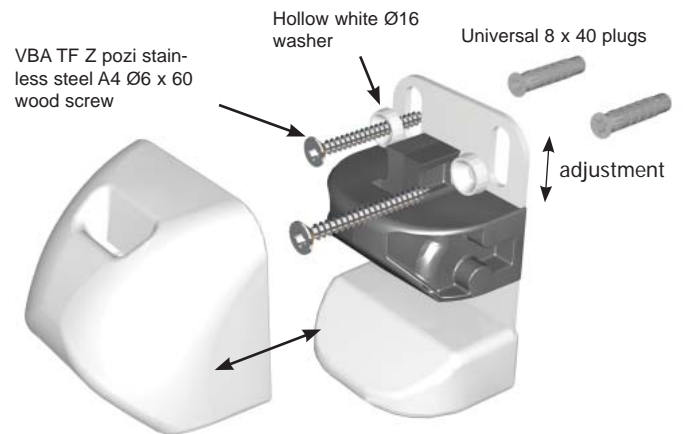
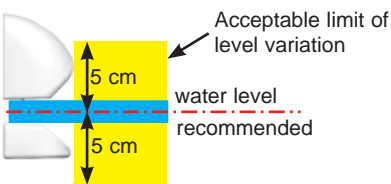
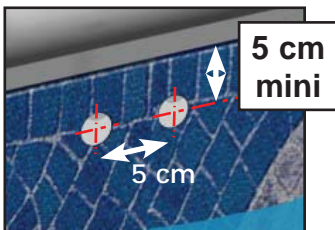
Hang mounted version

For concrete and panel pools

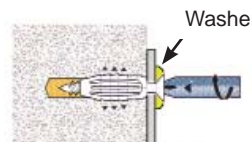


Surface mounted model

For concrete and concrete block pools, as well as pools with wall thickness greater than or equal to 8 mm

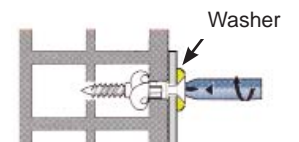


Concrete



Once the resistance point has been reached stop screwing, this would deteriorate the fixture quality.

Concrete block

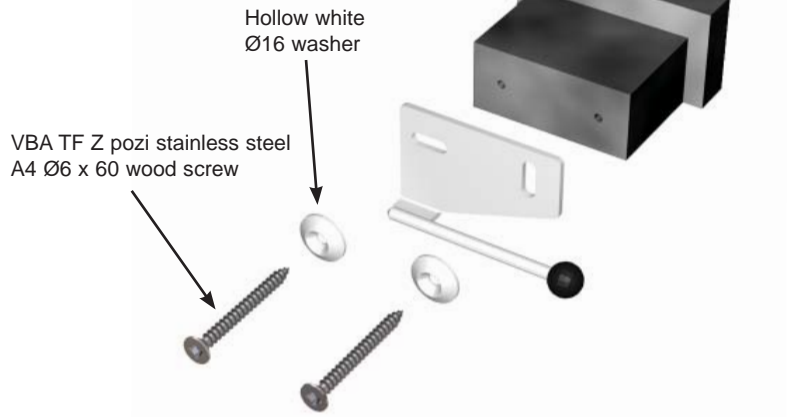
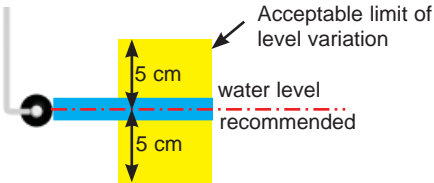
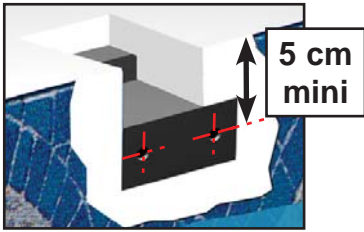


After reaching the resistance point, make 3 more turns of the screwdriver to finish tightening.

A water level regulator is mandatory

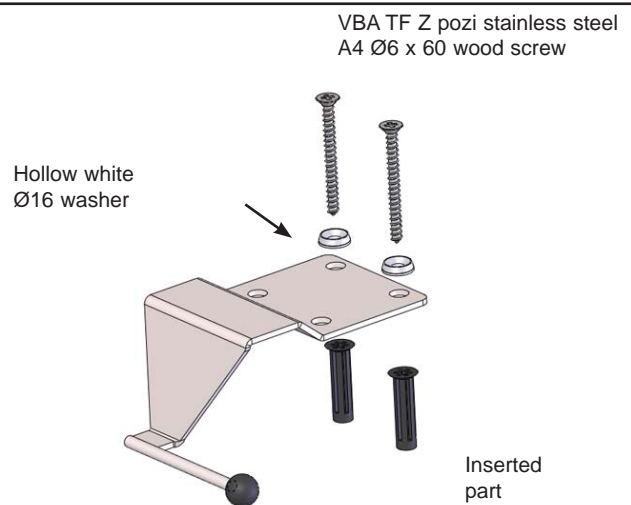
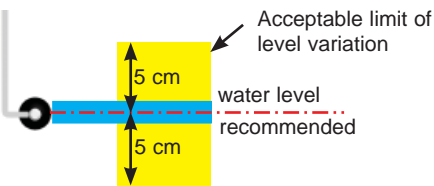
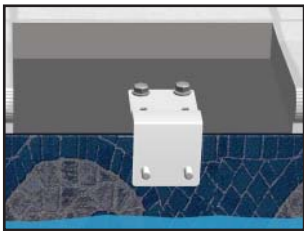
Insert mounted model

For concrete and panel pools



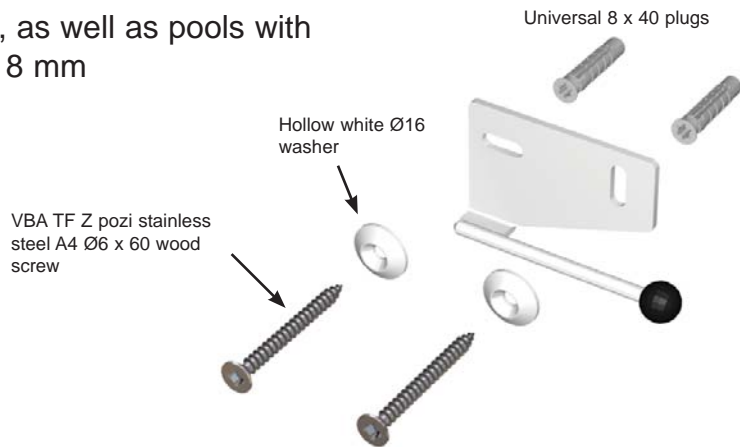
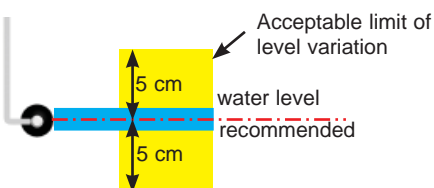
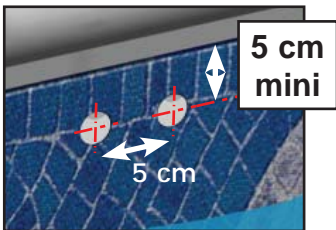
Hang mounted version

For concrete and panel pools

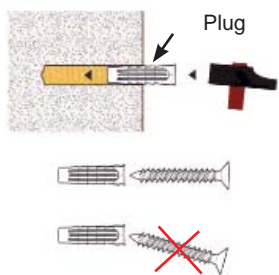


Surface mounted model

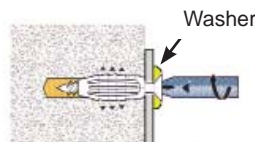
For concrete and concrete block pools, as well as pools with wall thickness greater than or equal to 8 mm



60 mm "minimum"

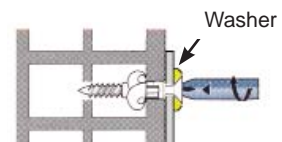


Concrete



Once the resistance point has been reached stop screwing, this would deteriorate the fixture quality.

Concrete block



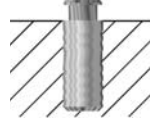
After reaching the resistance point, make 3 more turns of the screwdriver to finish tightening.

INSTALLATION OF THE STRAP-HOLDER ANCHOR EYEBOLT

Eyebolt for concrete beach

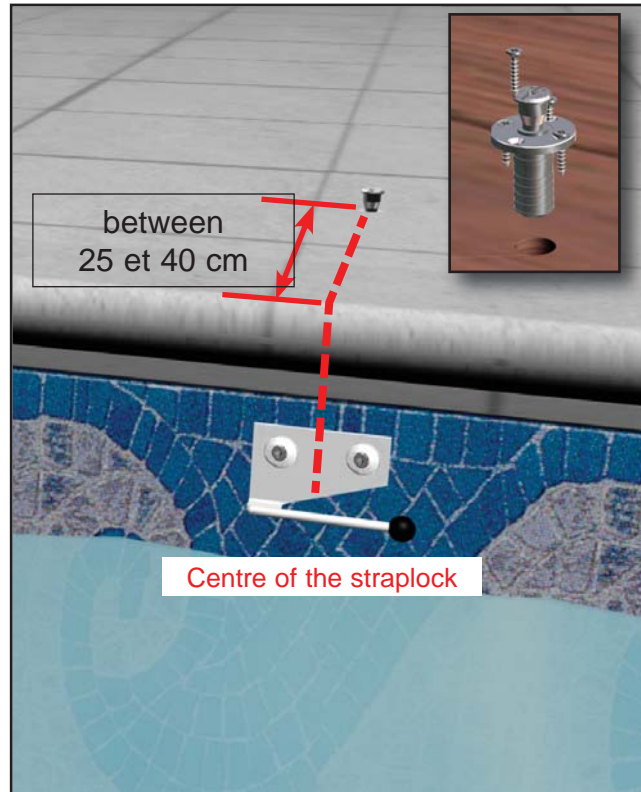
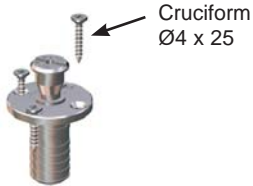


The head of the eyebolt must be higher than the beach surface



Do not force the eyebolt into a drill hole of a smaller diameter than this

Eyebolt for wooden beach



INSTALLATION OF THE STRAPLOCK STRAP

single strap



or

double strap



+

Protective sheath



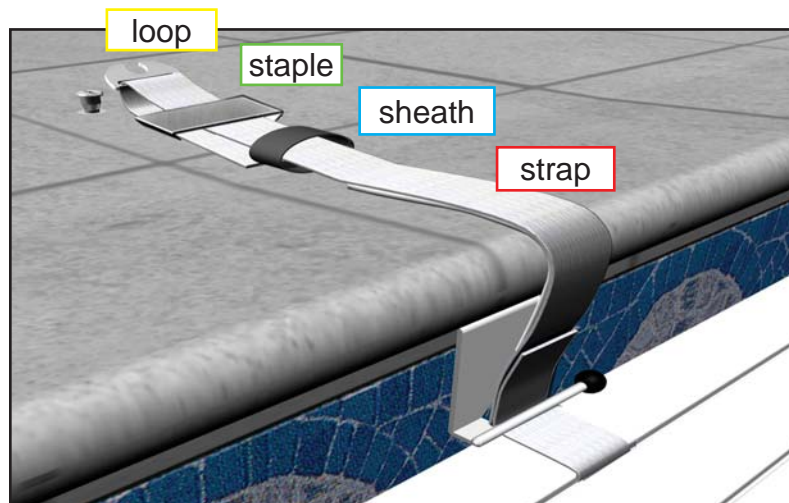
+

loop



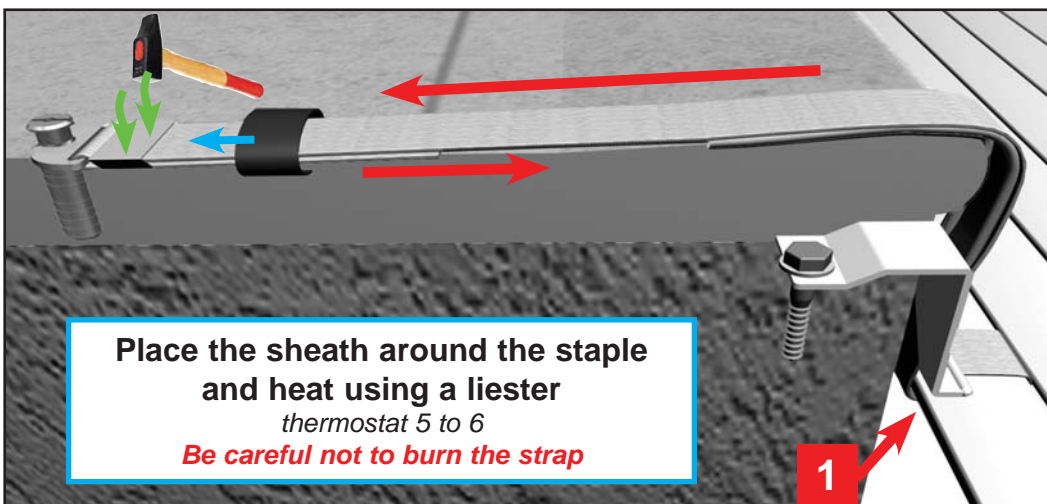
+

staple

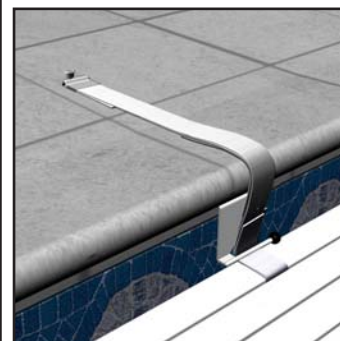


Stretch the strap
the cover must touch the underside of the straplock

Place the strap in position after the loop and crimp
the 2 strap thicknesses pass inside the stable



Place the sheath around the staple and heat using a liester thermostat 5 to 6
Be careful not to burn the strap



OPENING/ CLOSURE OF THE POOL

**ALWAYS KEEP AN EYE ON THE POOL DURING OPENING OR CLOSING OPERATIONS.
ALWAYS CHECK THAT THE POOL WATER LEVEL IS CONSTANT AND COMPLIANT WITH THE
RECOMMENDATIONS ON THE INSTRUCTIONS**

- It is imperative not to halt the cover in an intermediate position, this can cause the risk of jamming a bather's body under the cover casing, if a bather uses the pool.
- When using an automatic cleaner under the cover, check that the hose does not affect the movement of the slats when opening and closing the cover.
- It is essential to remove floating objects when opening and closing the cover.
- Do not block the cover while extending or retracting.
- Do not activate the automatic cover when it is iced in.
- The opening or closure operation requires about 2 minutes for one person and about 3 minutes to lock or unlock the attachment kits.

Opening: Always release the cover before starting the motor.

- Unlock all the fastening systems.
- Operate the open control.
- Stow the unlocking tools out of the reach of children.
- Lock the WI-Key command



Closure:

- Operate the «contact maintained during closure» close control
- Lock all the fastener systems.
- Stow the unlocking tools out of the reach of children.
- Lock the WI-Key command



IMPORTANT

When closing the pool, it is essential to **KEEP THE CONTROL PRESSED FOR AT LEAST 3 SECONDS**. This is required to guarantee automatic obstacle detection the next time the cover is opened.

LOCKING THE WI-KEY

- Press on for more than 3 seconds until the pilot flashes = system locked

UNLOCKING THE WI-KEY

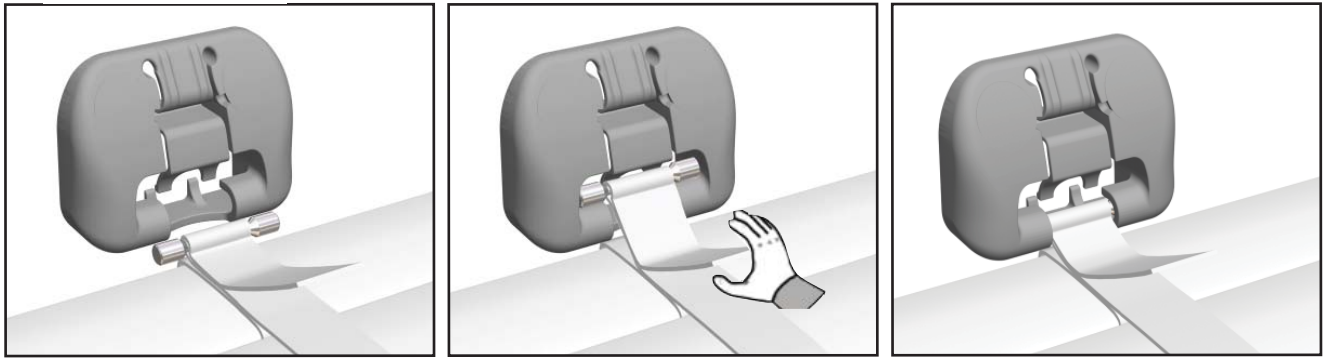
- Press and keep it pressed.
- At the same time: successively press the following 3 keys:
- The pilot remains on = emitter unlocked

LIGHT INDICATORS

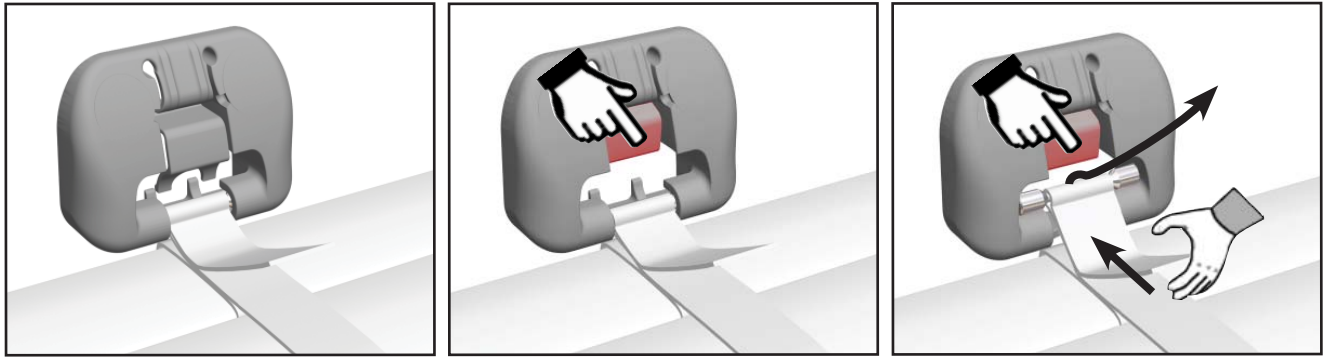
When you press a key, the light indicators below provide information on the Wi-key status (locked/unlocked), as well as the battery charge level.

	Green LED	----->	Wi-key unlocked
	Red/green flashing LED	----->	Wi-key locked
	Orange LED	----->	Battery level low
	Red LED	----->	Change the batteries (2 x LR03)

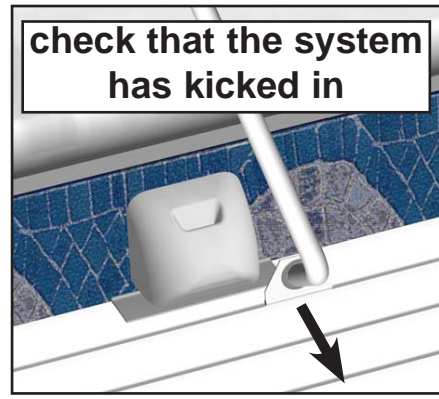
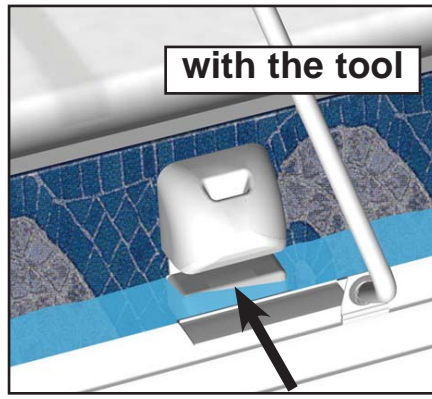
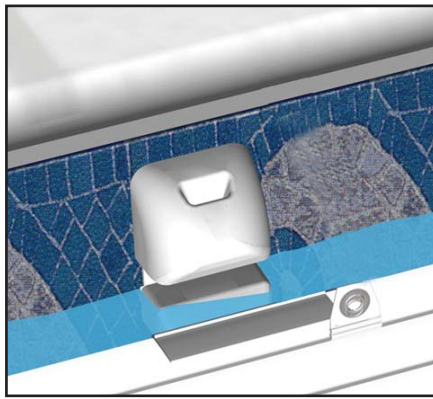
Locking



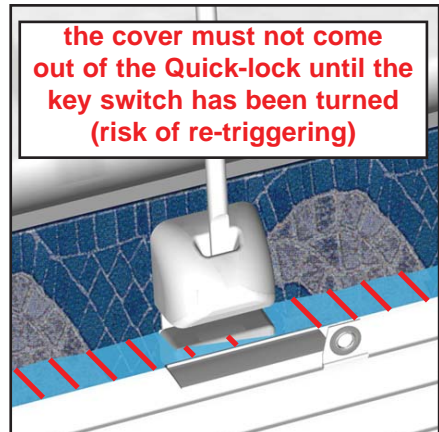
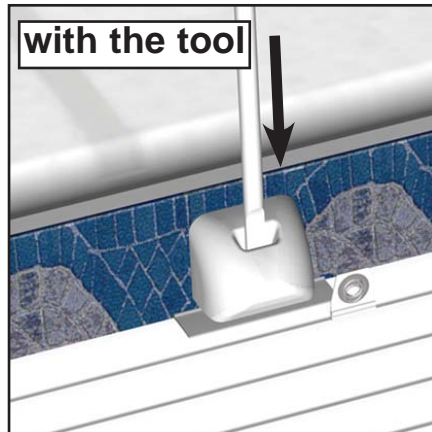
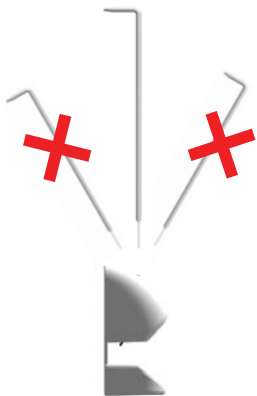
Releasing



Locking

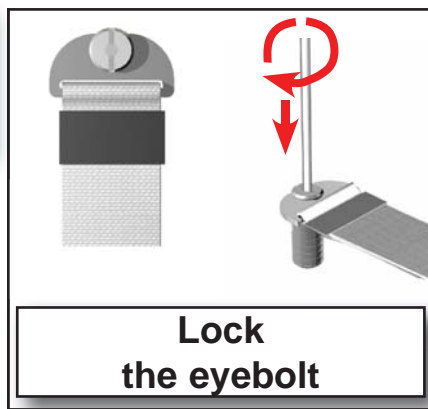
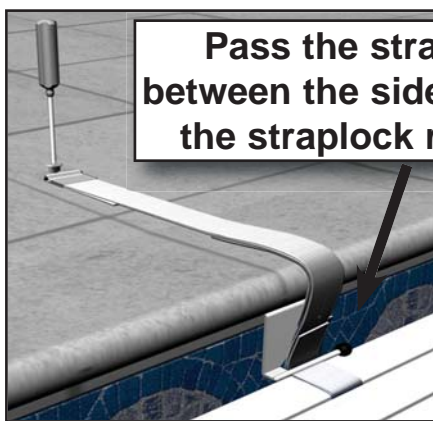


Releasing



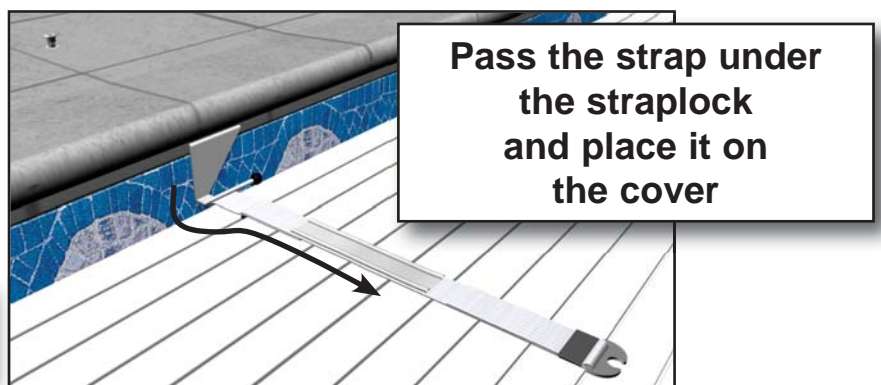
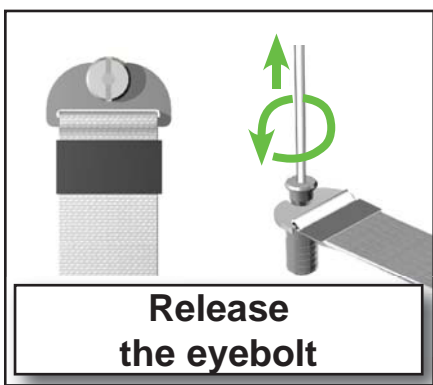
LOCKING AND RELEASING THE STRAPLOCK

Locking



The strap must be tight and the cover must touch the bottom of the straplock

Releasing



POOL WATER LEVEL

- To ensure optimum safety and the correct operation of the roller, always check that the level of the water in the pool remains constant and compliant with the manufacturer's recommendations.
(For further comfort, use an overflow and a level regulator).
- When the level is too high it is caused by the overflow being blocked by leaves or other debris.
- If the water level is too low there is a risk of jamming.
- If there are gutters or hand rails, the pool must be equipped with a water level regulator.

FILTERING

- Programme filtering during sunlight periods and operate it permanently as soon as the water reaches 25°C.

CLEANING (USER'S RESPONSIBILITY)

- Clean your cover fully twice a year (start of season and wintering). This is even more important if you have hard water. To do this, use a high pressure cleaner with warm water and a descaling product (Décalcit super).
- Also take care to regularly clean the fastening systems and especially the eyebolt so that it never jams. We recommend lubricating the eyebolts every year for optimum operation.
- It is advisable to inspect the whole system, in the event of abnormal strain on the cover (eg. somebody falling)
- Check the straps annually
- To obtain the best performance from the solar panels, regularly clean them using a window cleaning product.

BATTERIES



AT THE FIRST SIGN OF WEAKNESS, RECHARGE THE BATTERIES.

NEVER COMPLETELY RUN DOWN THE BATTERIES

Connect the batteries to the charger (*be careful of the polarity*). Plug in the charger. It will turn on automatically at the suitable voltage and the charging process starts. The red LED indicates charging. When charging is complete, the red LED turns off and the batteries are supplied using a maintenance charge. (see charger notice)

Warning: - Keep the charger in a dry place. Never recharge close to the pool, do this in a dry place.

WINTERING

- Winter the pool depending on its geographic location.
- Close the cover in the safety position.
- Leave the batteries connected inside the roller and do not cover the solar panel.
- We recommend you install the IVERNEA winter shield to protect the cover from UVs and dirt

MAINTENANCE

- All work must be carried out by a professional who will contact the manufacturer if necessary.
- All spare parts must be original or compliant with the standard.
- Inspect the whole cover for damage/wear and tear.
- At the beginning of each season and in the event of an accident (fall, hail on the cover, abnormal strain on the cover, etc.) check that the slats have no visible signs of deterioration that could prevent the safe operation of the cover (cracked, pierced or bent slats, etc.). Change the slats or the whole cover if necessary.
- In both summer and winter, do not cover the slats with an opaque cover. There is a risk of damage due to excess heat.
- Check the condition of the straps (seams) and especially wear on the anti-abrasion sheath. If the latter no longer fulfils its protective function from friction of the strap against the pool side, replace it.
- The «witness» flashes RED = change the control box battery

UNCOUPLING THE ROLLER

In the event of a motor or electric failure, you can remove the motor to close the pool manually.

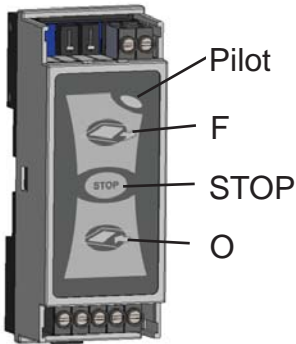
- 1 - Cut the electricity supply
- 2 - Disconnect the motor
- 3 - Remove the fixtures and remove the motor
- 4 - Unroll the cover manually.
- 5 - Place the fastener kits.



WI-KEY

Pairing -- delivered pre-paired

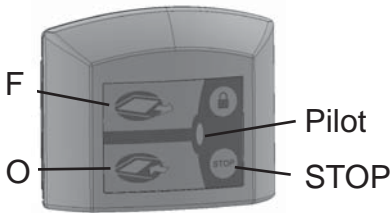
1 receiver



Press «STOP» and, without releasing it, press «O» for more than 3 seconds
OK when the «pilot» flashes green.

an emitter must be paired within the next 30 seconds.

2 emitter



Press «STOP» and, without releasing it, press «O» for more than 3 seconds
OK when the «pilot» flashes red / green.

another emitter must be paired within the next 30 seconds.

Replacing the batteries



Be careful of the seal when re-assembling

	Receiver	Emitter	
Manufacturer	DEL	DEL	
Reference	Wikey receiver	Wikey emitter	
Category	3 (EN 300220-1)	3 (EN 300220-1)	
Range	50m in an obstacle-free zone 25m through a concrete wall	50m in a free zone 25m through a concrete wall	
Power supply	12 to 48 VDC 30mA max	Two 1.5V AAA batteries	
Protection index	< IP40	< IP54	

DEAR CUSTOMERS,

THANK YOU FOR CHOOSING A DEL AUTOMATIC COVER.

PLEASE READ THE INSTRUCTIONS BELOW CAREFULLY.

-POOLS CAN BE A SERIOUS DANGER FOR CHILDREN. DROWNING CAN HAPPEN QUICKLY.

S A F E T Y A D V I C E

WHEN CHILDREN ARE AROUND THE POOL THIS REQUIRES YOUR CONSTANT VIGILANCE AND ACTIVE SUPERVISION, EVEN IF THEY CAN SWIM.

THE PHYSICAL PRESENCE OF A RESPONSIBLE ADULT IS ESSENTIAL WHEN THE POOL IS OPEN.

LEARN LIFE SAVING TECHNIQUES.

MÉMORISER ET AFFICHER PRÈS DE LA PISCINE LES NUMÉROS DES PREMIERS SECOURS.

- POMPIERS : 18 (POUR LA FRANCE) OU 112 DEPUIS UN TÉLÉPHONE PORTABLE
- SAMU : 15 (POUR LA FRANCE)
- CENTRE ANTIPOISON :

-THIS COVER IS NOT A SUBSTITUTE FOR COMMON SENSE NOR FOR PERSONAL LIABILITY. THE PURPOSE OF THIS COVER IS NOT TO REPLACE THE VIGILANCE OF PARENTS AND/OR RESPONSIBLE ADULTS WHICH REMAIN THE ESSENTIAL FACTORS FOR THE SAFETY OF YOUNG CHILDREN.

-BE AWARE THAT SAFETY IS ONLY ACHIEVED BY A CLOSED COVER THAT IS LOCKED AND CORRECTLY INSTALLED IN COMPLIANCE WITH THE MANUFACTURER'S INSTRUCTIONS.

-COMPLY WITH THE WATER HEIGHTS DEFINED BY THE MANUFACTURER.

-THE COVER MUST SYSTEMATICALLY BE CLOSED DURING ALL ABSENCES FROM HOME, HOWEVER SHORT.

-MAKE SURE THERE ARE NO BATHERS OR FOREIGN BODIES IN THE POOL BEFORE AND DURING CLOSING.

-PLACE THE TOOLS REQUIRED TO OPEN THE COVER OUT OF THE REACH OF CHILDREN (THE KEY FOR EXAMPLE)

-THE OPENING ACTION OF THE MECHANISM SHOULD ONLY BE UNDERTAKEN BY A RESPONSIBLE ADULT.

-IT IS FORBIDDEN TO CLIMB ON, WALK OR JUMP ON A SAFETY COVER.

-IF A MALFUNCTION THAT PREVENTS THE CLOSURE AND SECURING OF THE POOL IS DISCOVERED, OR IF THE EQUIPMENT OR POOL ARE TEMPORARILY UNAVAILABLE, TAKE ALL NECESSARY MEASURES TO PREVENT YOUNG CHILDREN FROM ACCESSING THE POOL UNTIL THE COVER IS COMPLETELY REPAIRED.

-A CHILD CAN DROWN IN UNDER 3 MINUTES, NO TYPES OF PROTECTIVE MEASURE CAN REPLACE SUPERVISION AND VIGILANCE BY A RESPONSIBLE ADULT.



SWIMMING POOL BUILDER

ZA La basse croix rouge 35530 Brécé - tel : + 33 (0)2 99 370 370